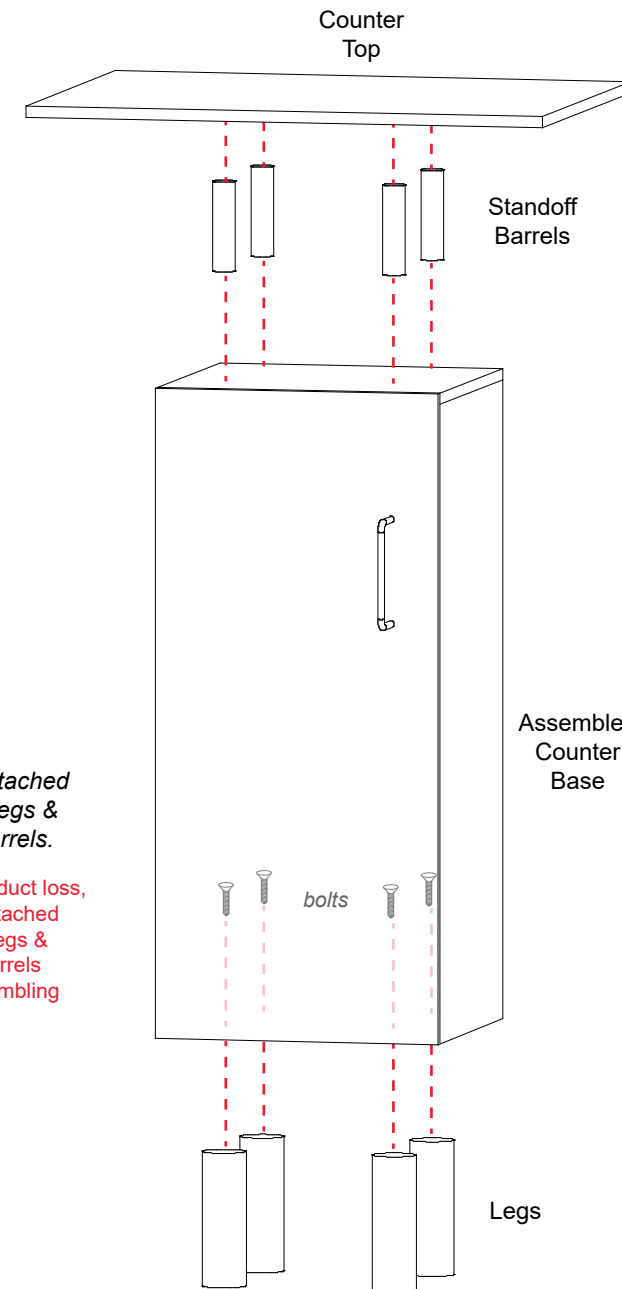
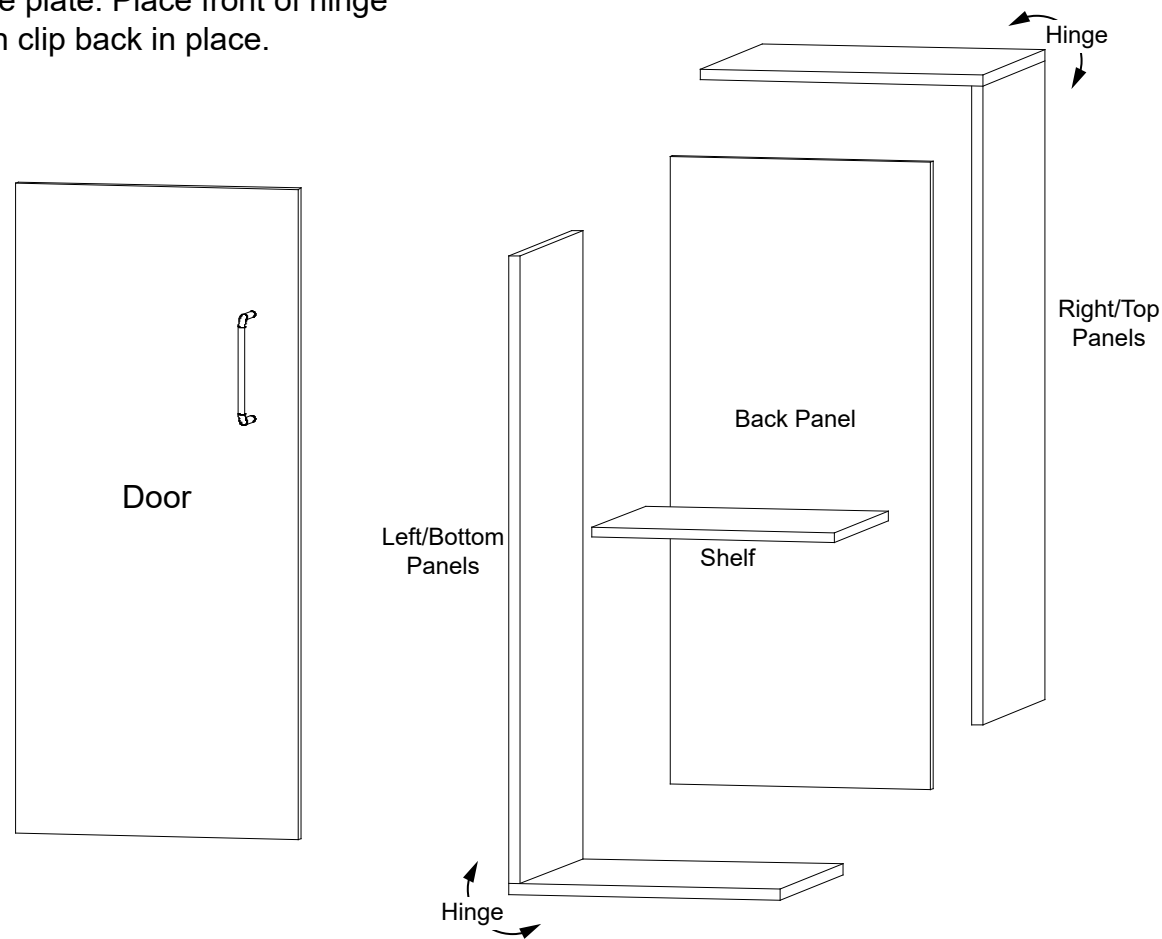




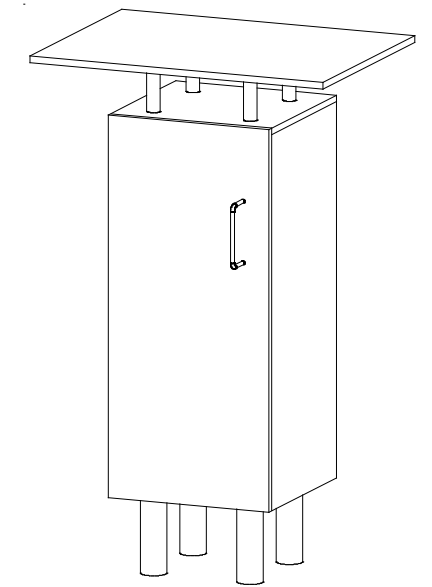
- Steps:
- 1) Attach flat panels together as shown.
 - 2) Connect door & shelf.
 - 3) Attach bottom legs to bottom panel of pedestal, using bolts from inside counter assembly.
 - 4) Attach counter top atop assembled pedestal using standoff barrels. See **Counter Top Attachment** detail.

Cabinet Door will clip into pre-installed base plate. Place front of hinge then clip back in place.



Bolts ship attached to counter legs & standoff barrels.

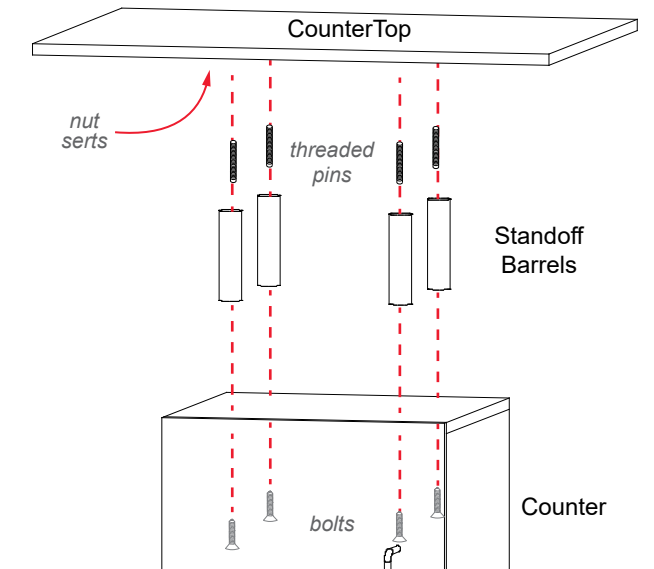
****To prevent product loss, Keep bolts attached to counter legs & standoff barrels after disassembling**



When Assembled

Counter Top Attachment

Attach standoff barrels to nutserts underside of Counter Top, using threaded pins.



Connect standoff barrels to top of Counter, using bolts from inside counter assembly.