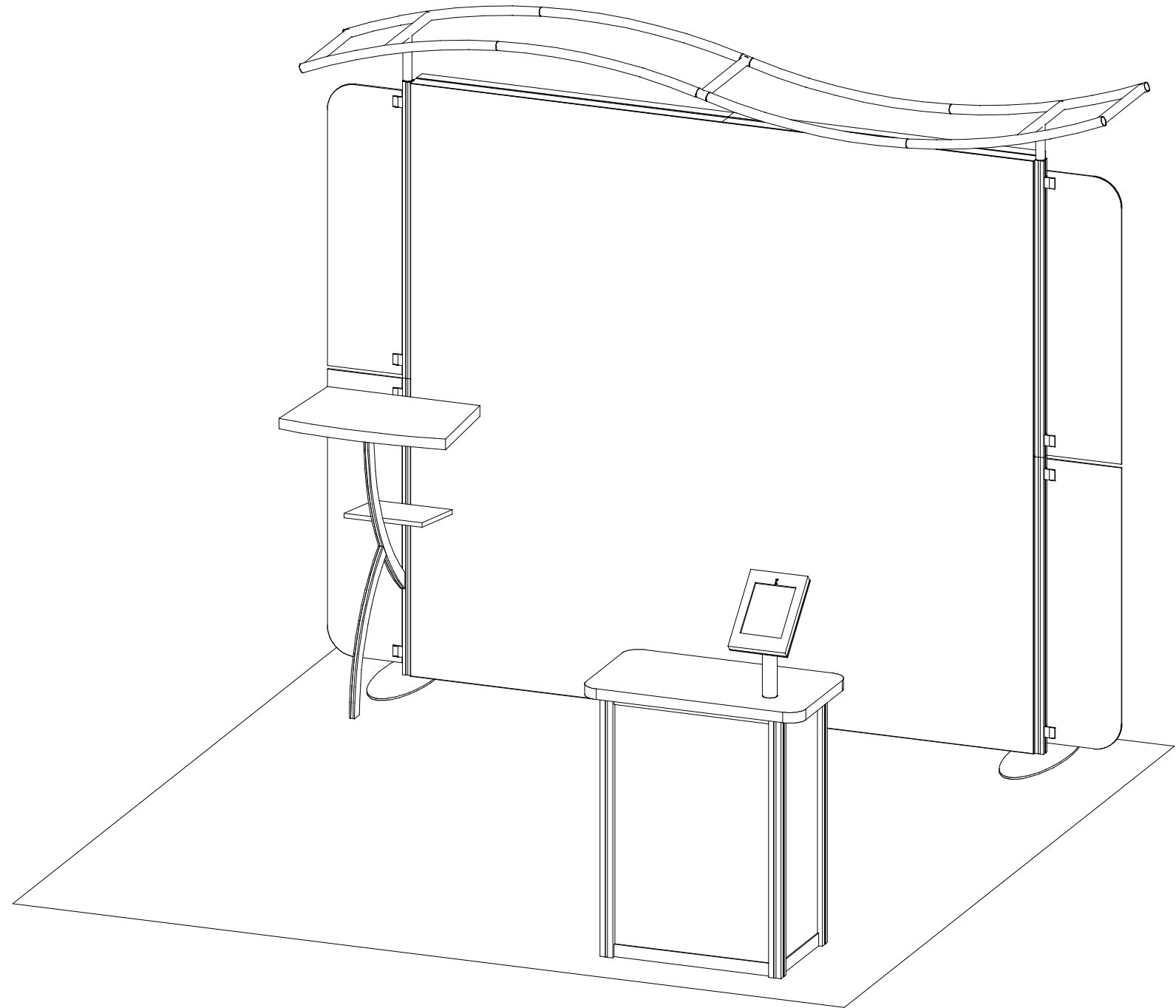
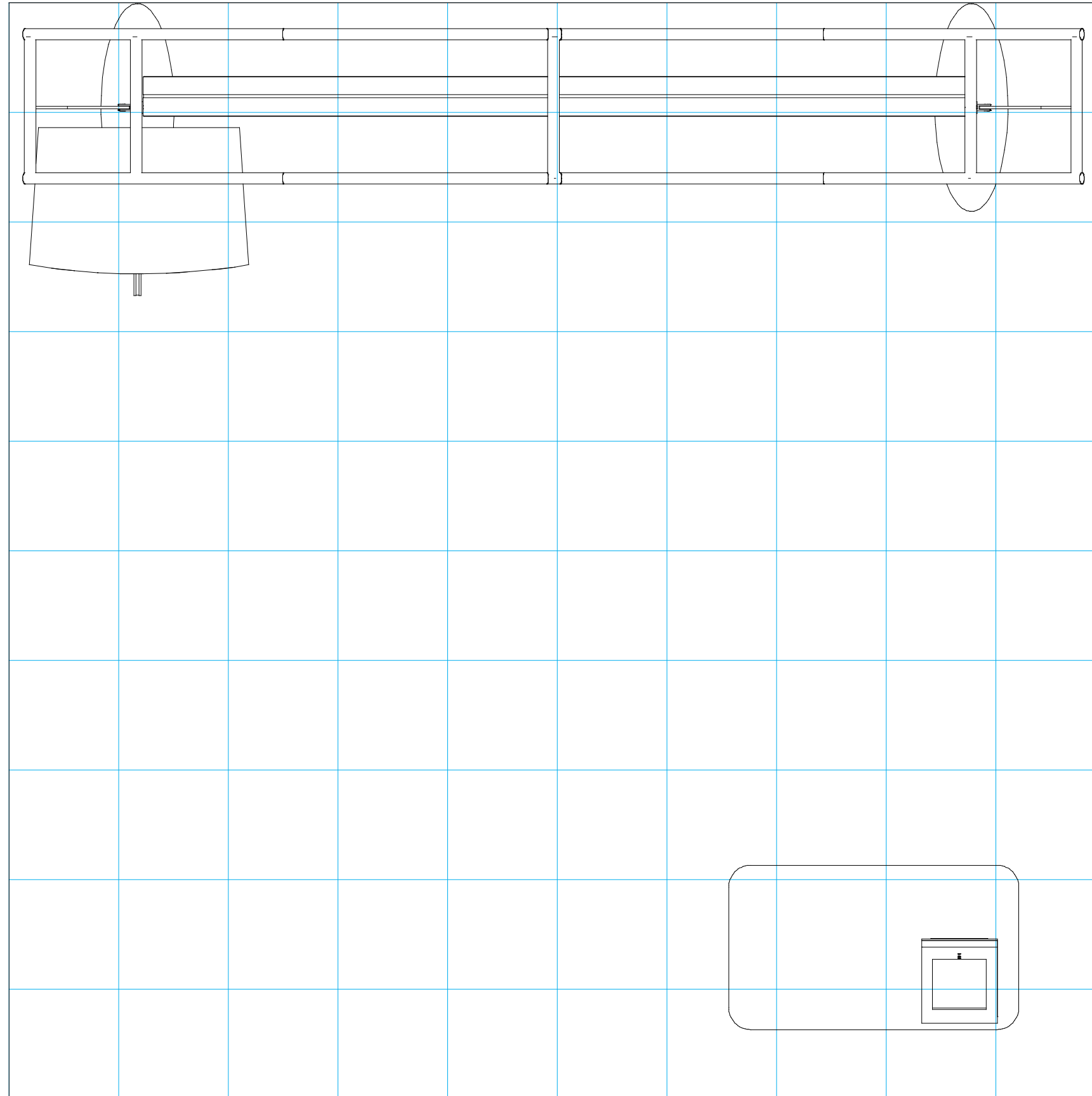


Plan View





= 1 sq foot

General Setup Instructions

- Read entire setup instruction manual prior to unpacking parts and pieces.
- The setup instructions are created specifically for this configuration.
- Setup instructions are laid out sequentially in steps, including exploded views with detailed explanation for assembly.

Cleaning & Packing

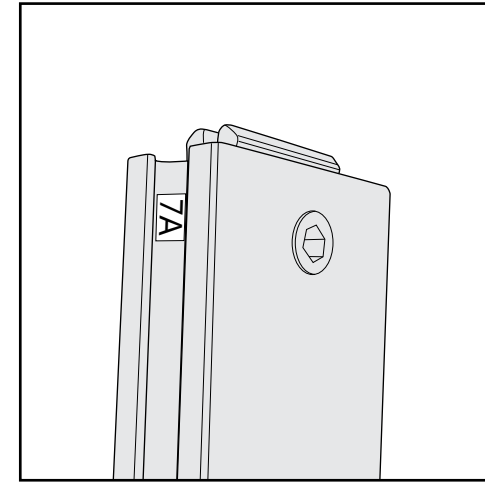
- For Cleaning Metal, Plex, & Laminate Parts: Use a **MILD NON-ABRASIVE** cleanser and soft cloth/paper towel to clean all surfaces.
- Keep exhibit components away from heat and prolonged sun exposure. **Heat and UV exposure will warp and fade components.**
- Retain all provided Packing Materials. All provided packing materials are for ease of repacking & component protection.

Disassembly

- For loss prevention, tighten all set screws and locks during disassembly.



Hex Tool - Essential for Assembly



Part Identification - Numbering



Spline Connection



Base Plate & Extrusion Connection



Extrusion & Lock Connection



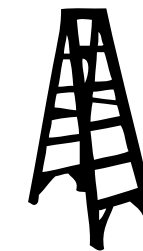
Engaged Lock



WARNING



DO NOT USE POWER TOOLS



LADDERS OR LIFTS
MAY BE REQUIRED

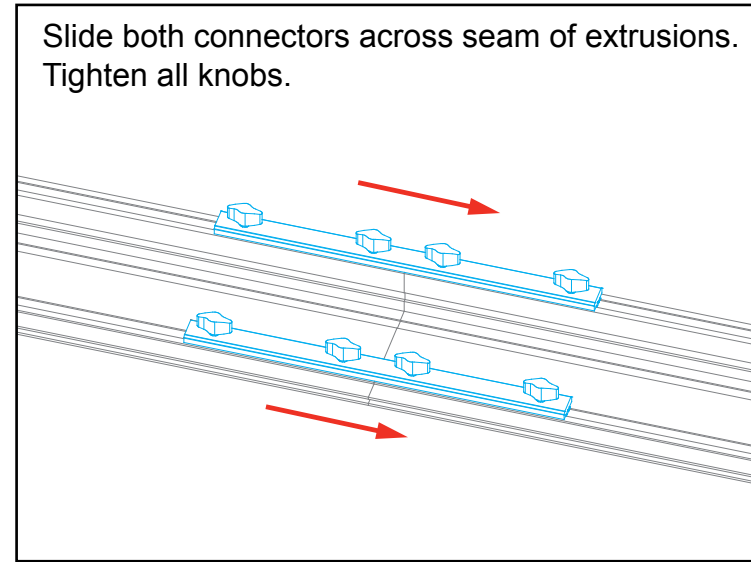
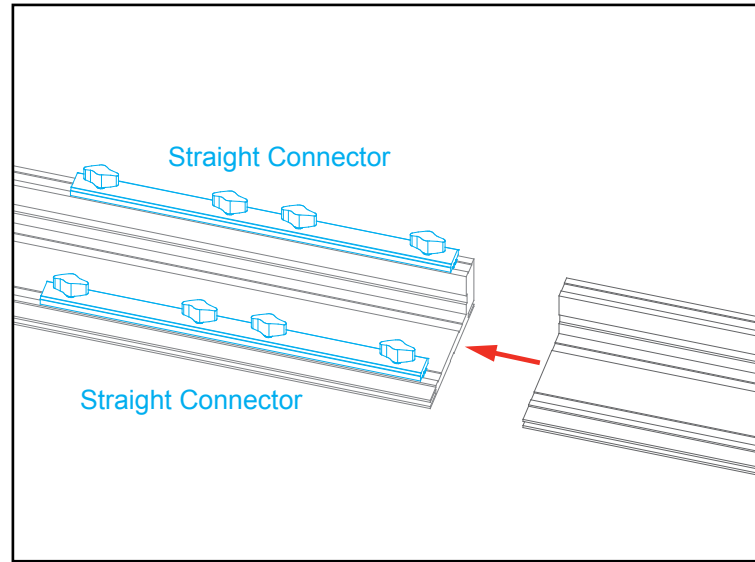


ALL CONNECTIONS MUST
BE TIGHTLY SECURED

Straight Connection

When assembling frame, first attach all **straight connectors**, then attach **corner connectors**.

- 1) Place extrusions end-to-end.
- 2) Loosen all knobs, then slide **straight connectors** across the seam of extrusions.
- 3) Tighten all knobs to secure connection.



All knobs must be tightened securely to ensure a proper connection.

Disassembly

- 1) Loosen all knobs.
- 2) Slide connectors off of one extrusion.
- 3) Tighten knobs to prevent loss during packing & shipping.

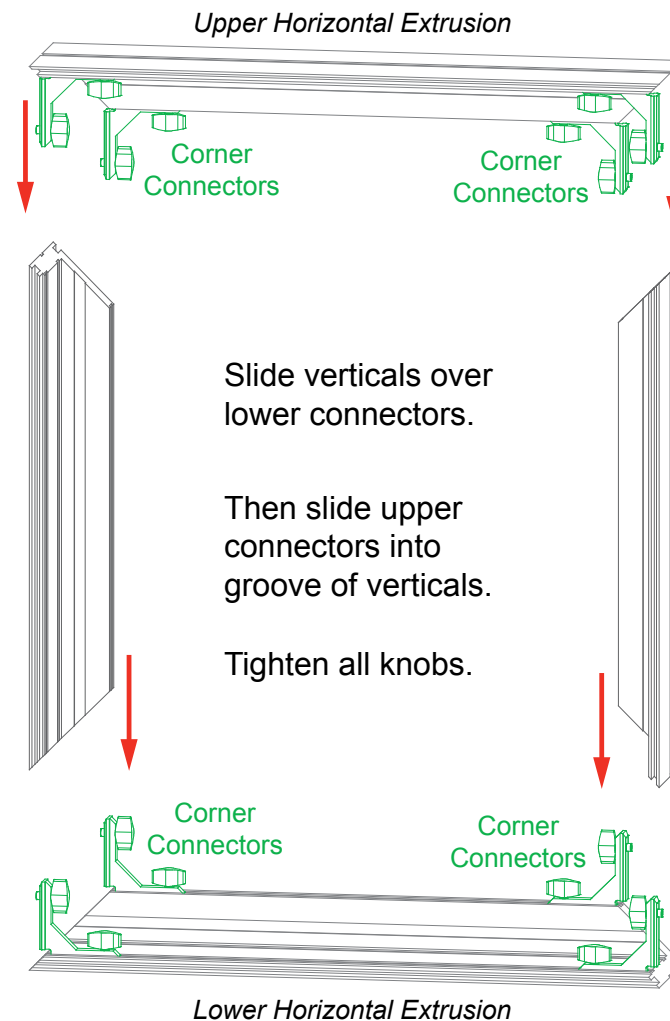
Keep straight connectors in groove of extrusion. Do not remove connectors during disassembly.

Corner Connection

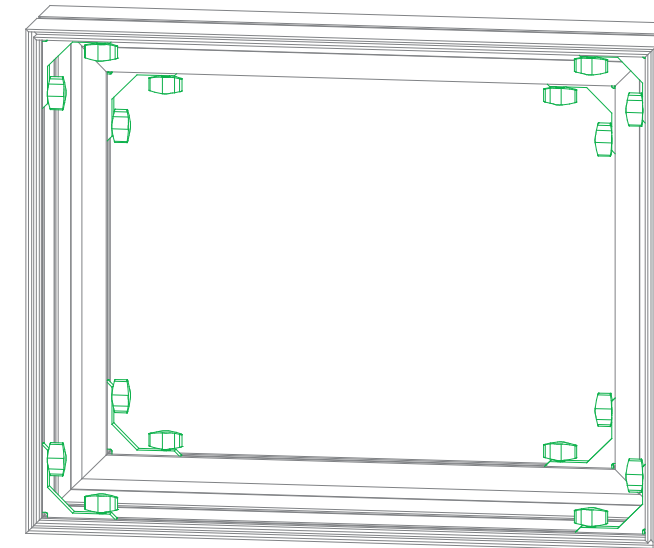
- 1) Loosen knobs, then slide vertical extrusions onto **corner connectors** of **lower** horizontal extrusion.
- 2) Slide **corner connectors** of **upper** horizontal extrusion into grooves of vertical extrusions.
- 3) Tighten all knobs to secure connection.

Disassembly

- 1) Loosen knobs on vertical extrusions.
- 2) Slide the vertical extrusions off of **corner connectors** on lower and upper horizontal extrusions.

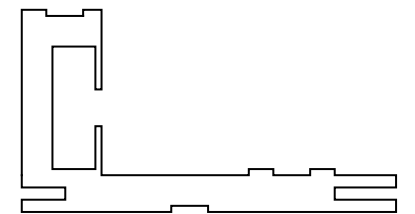


Adjust connectors if necessary to prevent gaps in connection.

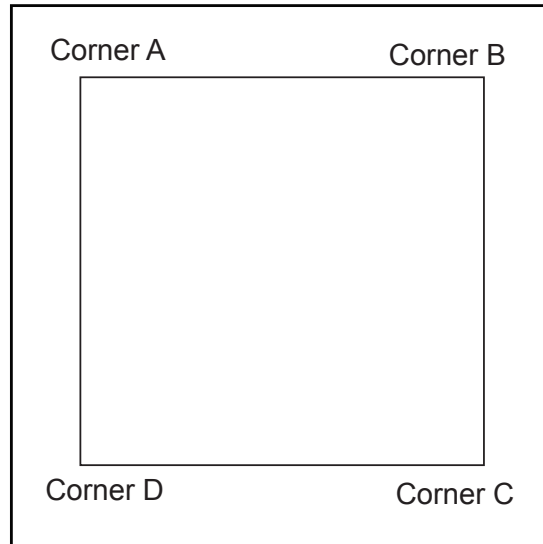


COMPLETED ASSEMBLY

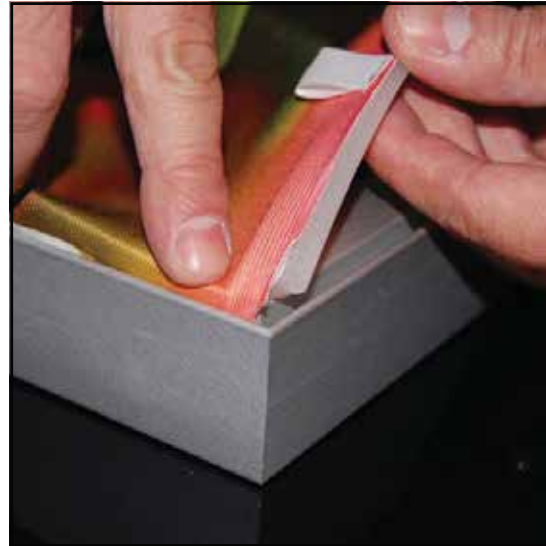
All knobs must be tightened securely to ensure a proper connection.



CEI110 Profile



It is important to first insert graphic into each alternate corner then to the sides of the frame. If this is not done, graphic will not fit into the frame correctly.



Step 1
Insert corner A. Turn edge of graphic so silicon welt is perpendicular to face of graphic. Insert narrow side of welt with fabric to outside into the channel. Repeat for other side of this corner.

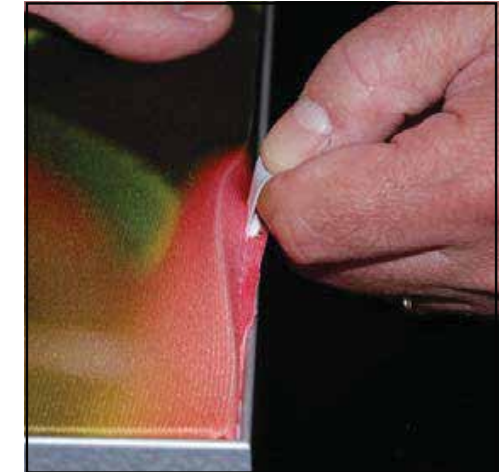


Step 2
Repeat Step 1 for opposite corner C, then insert corner B, followed by corner D, to complete the installation of the corners.



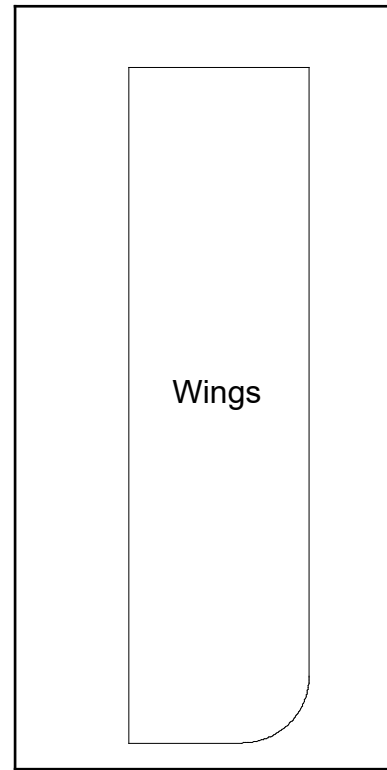
Step 3
Once all corners are inserted, press one silicon edge into channel from corners and work toward the center. Make sure welt is fully inserted into channel. Continue until all sides are done. Smooth out edges of graphic.

Graphic Removal

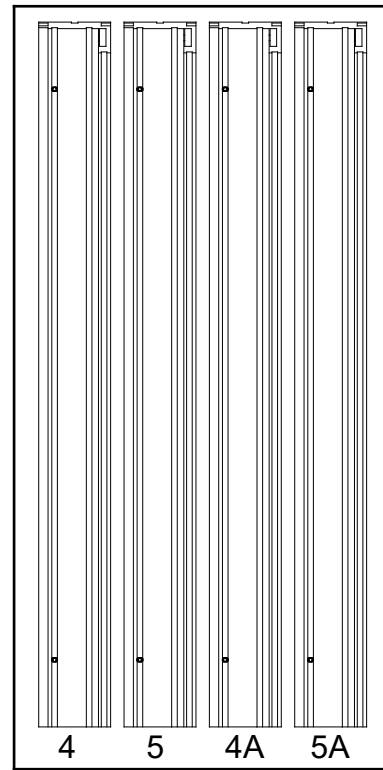


To remove the graphic from the frame, locate the fabric pull tab. Gently pull up on the tab to remove the fabric.

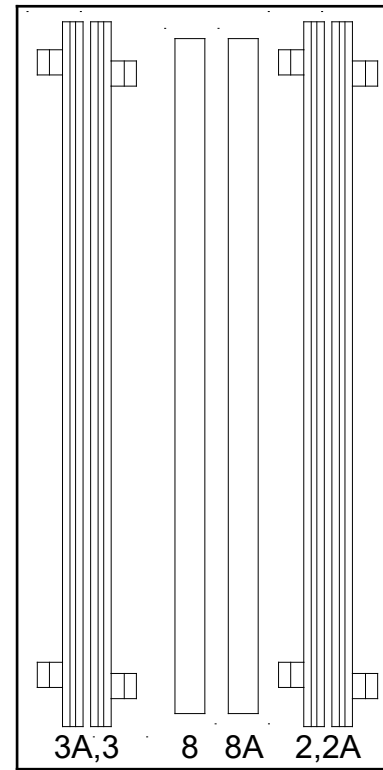
Top View of Each Level



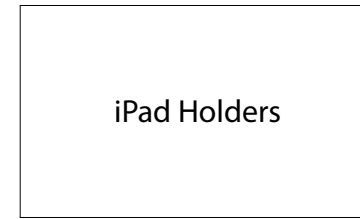
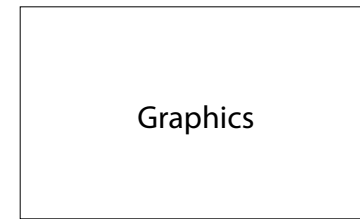
Level 1



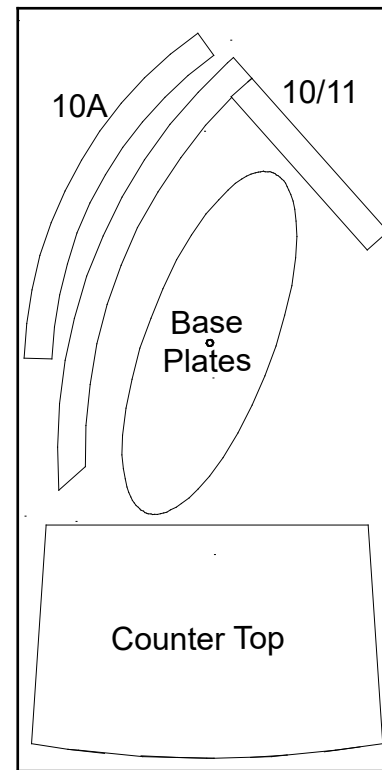
Level 2



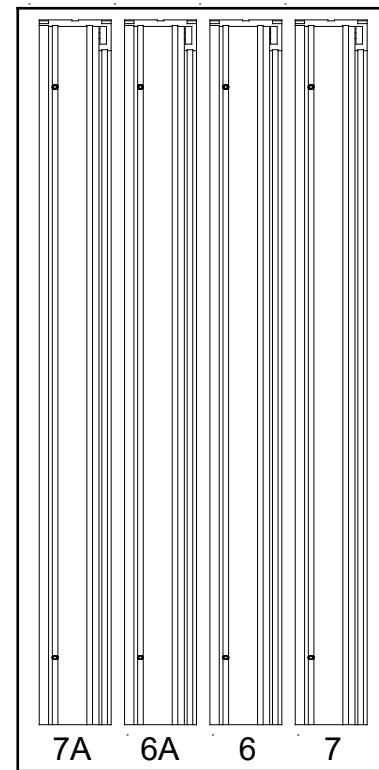
Level 3



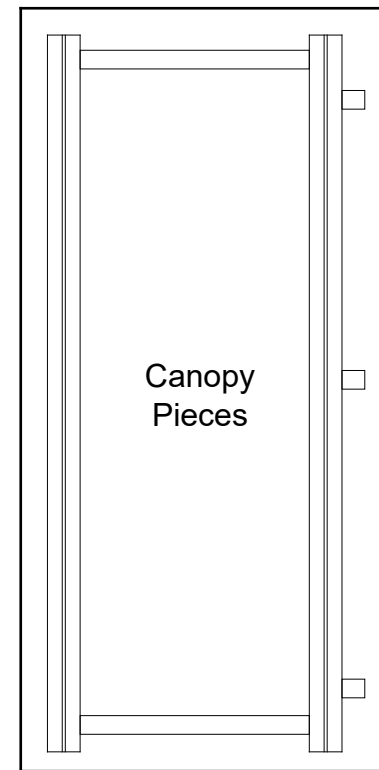
Top View of Each Level



Level 1

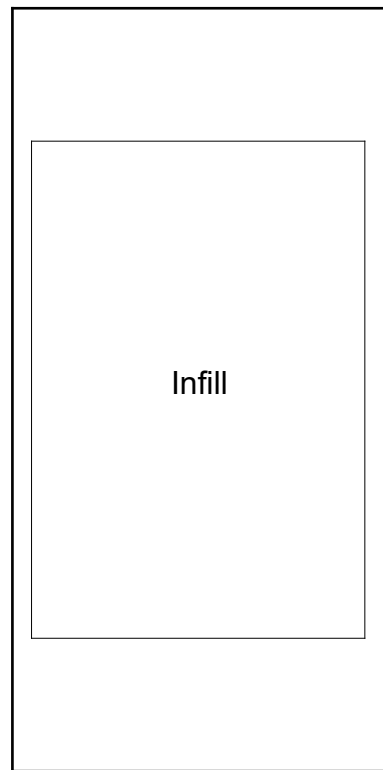


Level 2

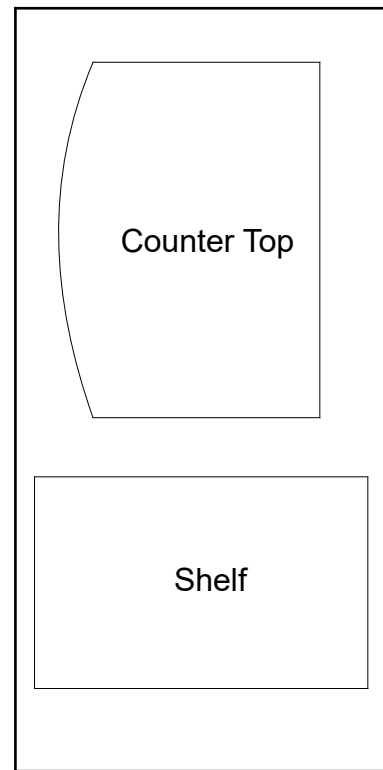


Level 3

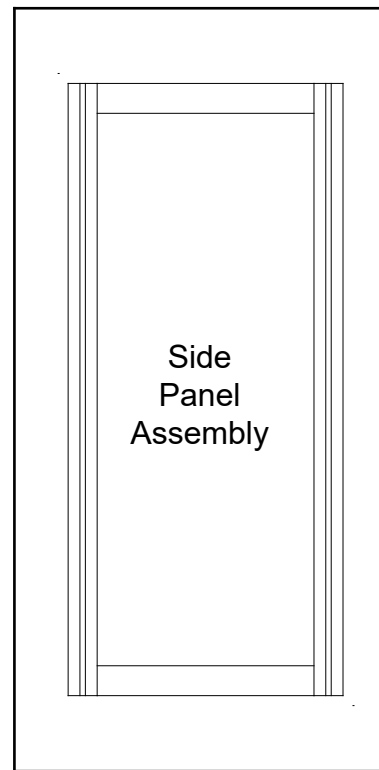
Top View of Each Level



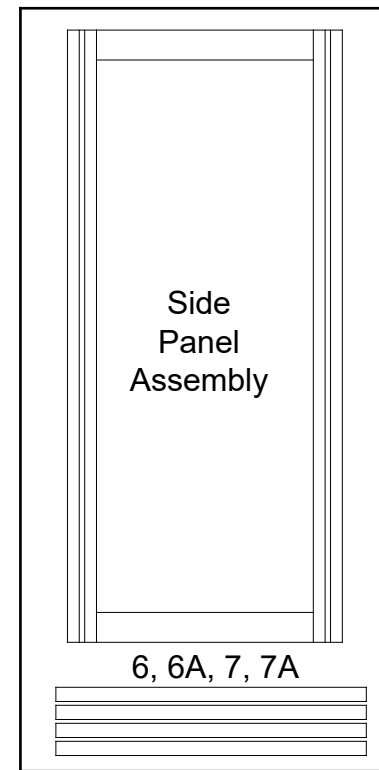
Level 1



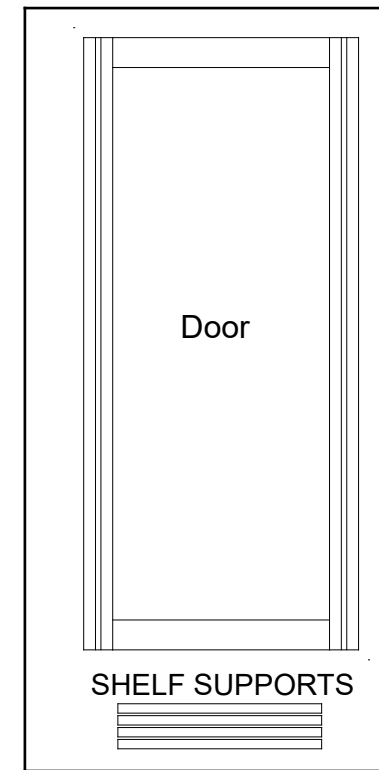
Level 2



Level 3



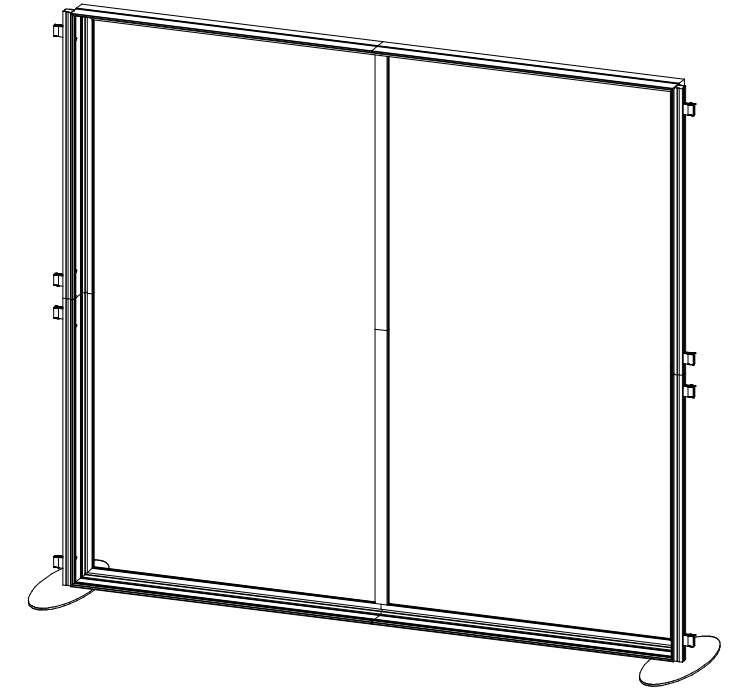
Level 4



Level 5

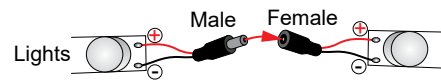
Item	Qty.	Description
1	2	Base Plate
2/2A	1/1	42" w S40 Vertical Extrusion
3/3A	1/1	42" h S40 Vertical Extrusion
4/4A	1/1	42" h CEI110 Horizontal Extrusion
5/5A	1/1	42" h CEI110 Horizontal Extrusion
6/6A	1/1	42" h CEI110 Vertical Extrusion
7/7A	1/1	42" h CEI110 Vertical Extrusion
8/8A	1/1	40.1767" h Z45 Vertical Extrusion

- Steps:
- 1) Attach Base Plates [1] to Vertical [2] & [3], using bolts.
 - 3) Assemble CEI-110 Extrusions together, with Verticals [8,8A] between. See General Information page CEI-110 Frames Assembly for details.
 - 4) Connect Verticals [2,2A] and [3,3A] together then attach to each side of assembled CEI-110 frame. See [CEI-110 to S40 Connection](#) detail.
 - 5) Connect lighting power cords and attach transformers. See [Light to Light Connections](#) & [Light to Transformer](#) details.
 - 6) Apply SEG graphic and blocker to front & back of assembled frame. See [SEG Graphic Installation](#) detail.

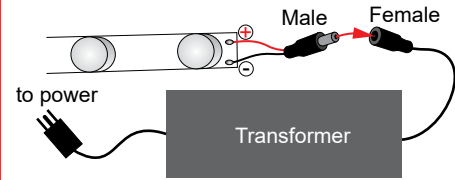


Completed Backwall Assembly

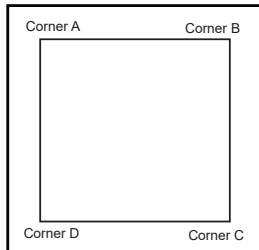
Light to Light Attachment



Light to Transformer Attachment



SEG Graphic Installation



It is important to first insert graphic into each alternate corner then to the sides of the frame. If this is not done, graphic will not fit into the frame correctly.



Step 1
Insert corner A. Turn edge of graphic so silicon welt is perpendicular to face of graphic. Insert narrow side of welt with fabric to outside into the channel. Repeat for other side of this corner.



Step 2
Repeat Step 1 for opposite corner C, then insert corner B, followed by corner D, to complete the installation of the corners.

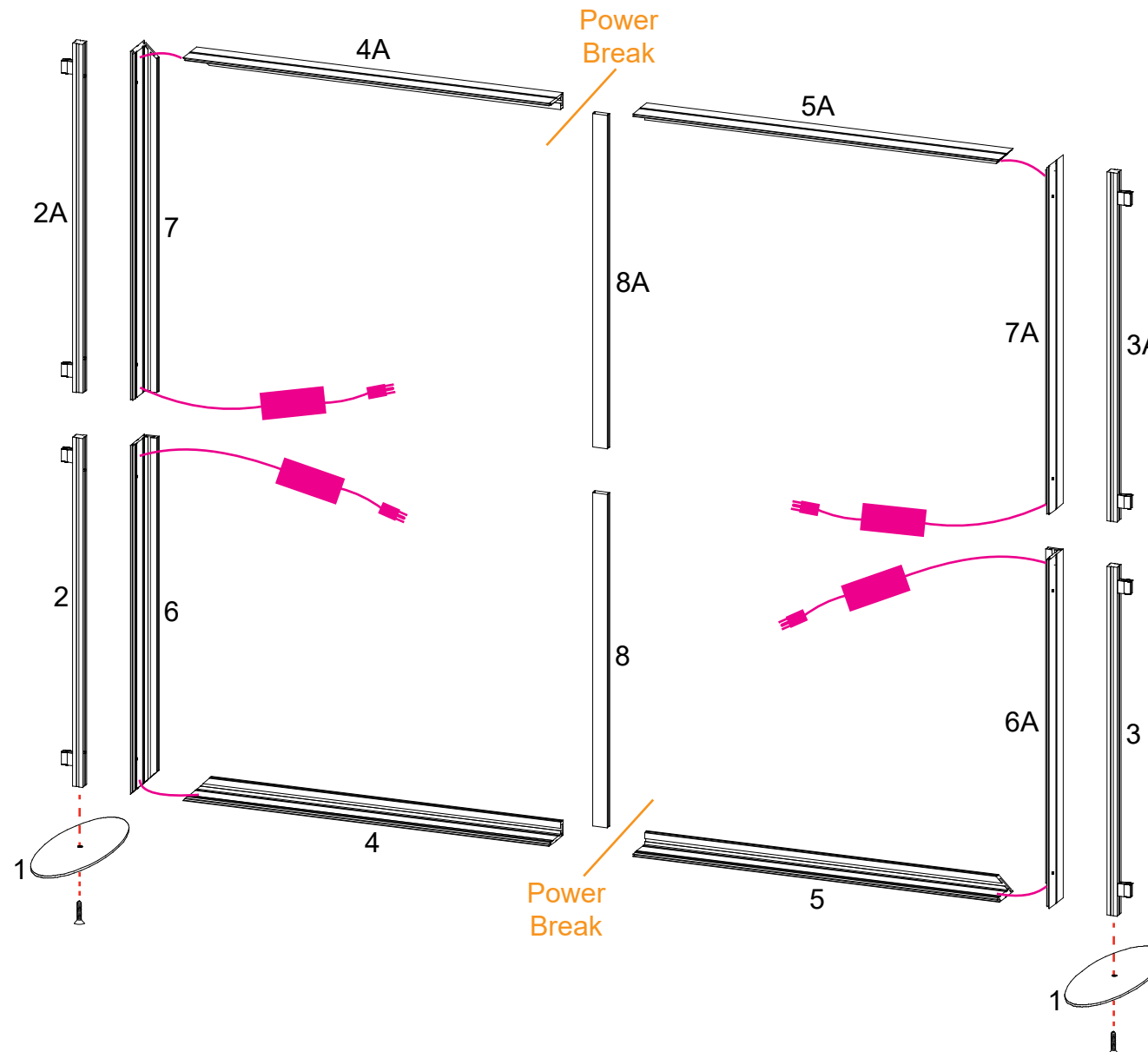
Graphic Removal



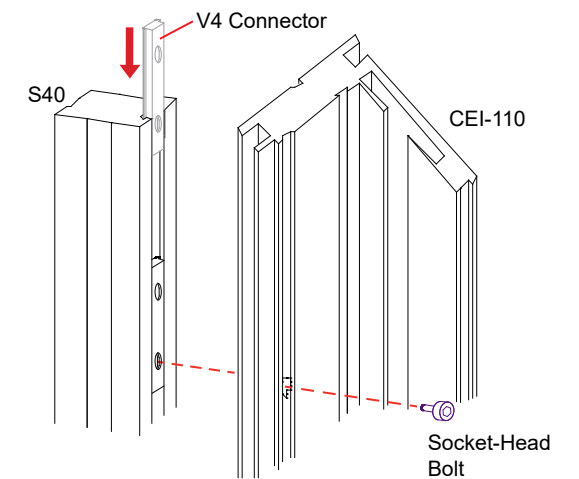
To remove the graphic from the frame, locate the fabric pull tab. Gently pull up on the tab to remove the fabric.



Step 3
Once all corners are inserted, press one silicon edge into channel from corners and work toward the center. Make sure welt is fully inserted into channel. Continue until all sides are done. Smooth out edges of graphic.



CEI-110 to S40 Connection



Slide V4 Connector into groove of S40. Tighten set screw with tool to secure V4 Connector in place at correct elevation (may be already in place on the Verticals [2,2A,3,3A]). Insert Socket-Head Bolt through hole of CEI-110 into matching threaded hole of V4 connector. Tighten Socket-Head Bolt with tool to secure in place.

AERO

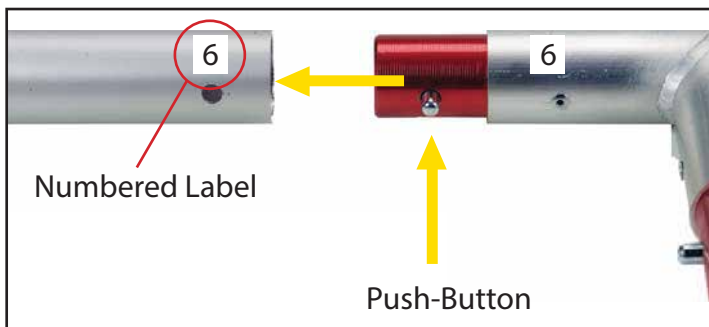
Using Your Setup Instructions

The Aero Setup Instructions are created specifically for your configuration. The instructions include an exploded view of the frame which is sequentially labeled. We encourage you to review the instructions before attempting to assemble your exhibit.

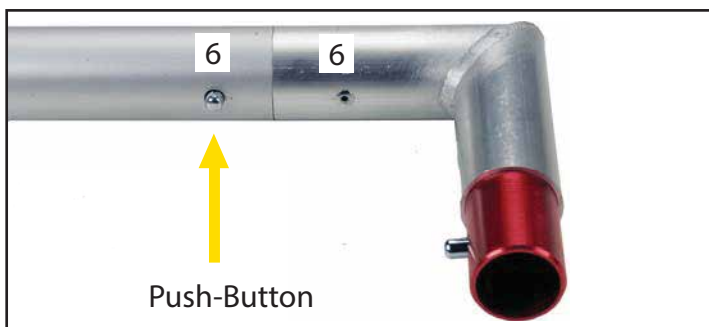
Connections are kept very simple; no tools required. Everything assembles with push-button connectors.

Cleaning and Packing Your Display

- 1) Use care when cleaning aluminum extrusion or acrylic inserts. Use only non-abrasive cleaners.
- 2) Retain all packing material. It will make re-packing much easier and will reduce the likelihood of shipping damage.

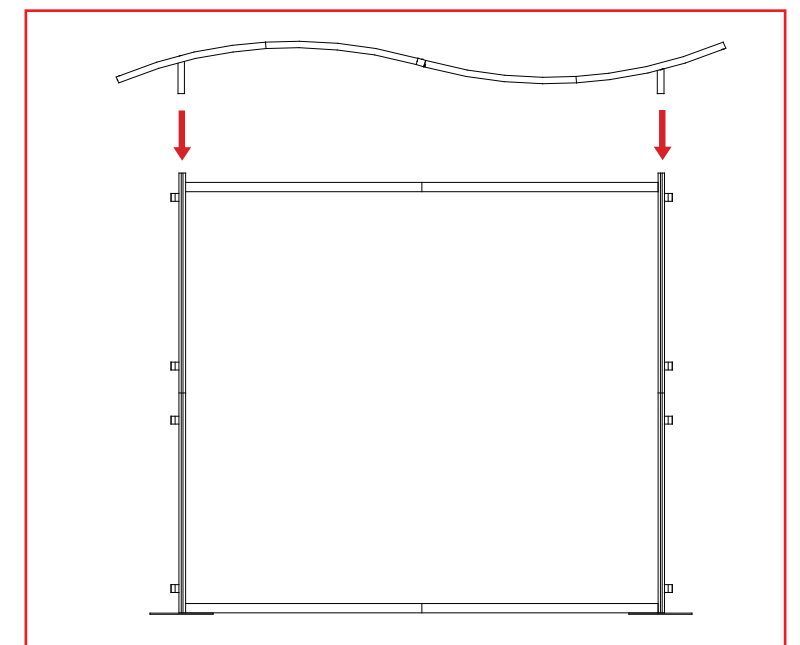
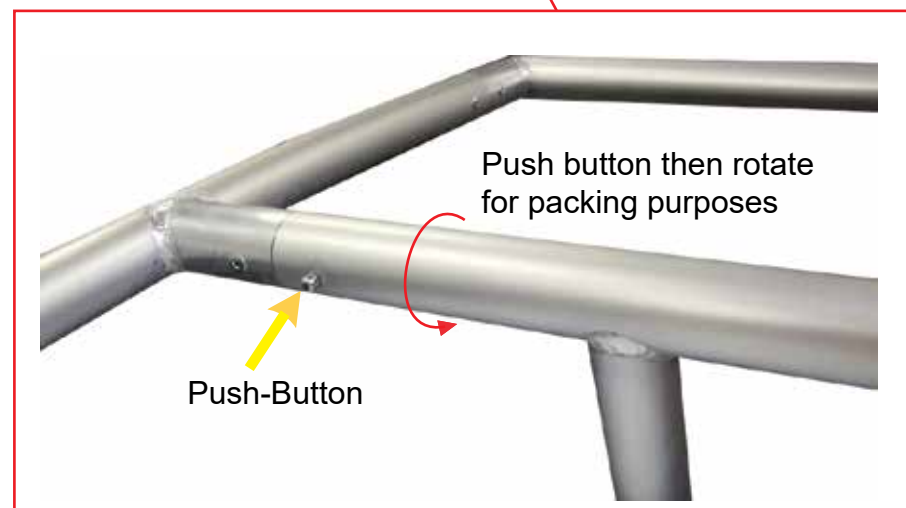
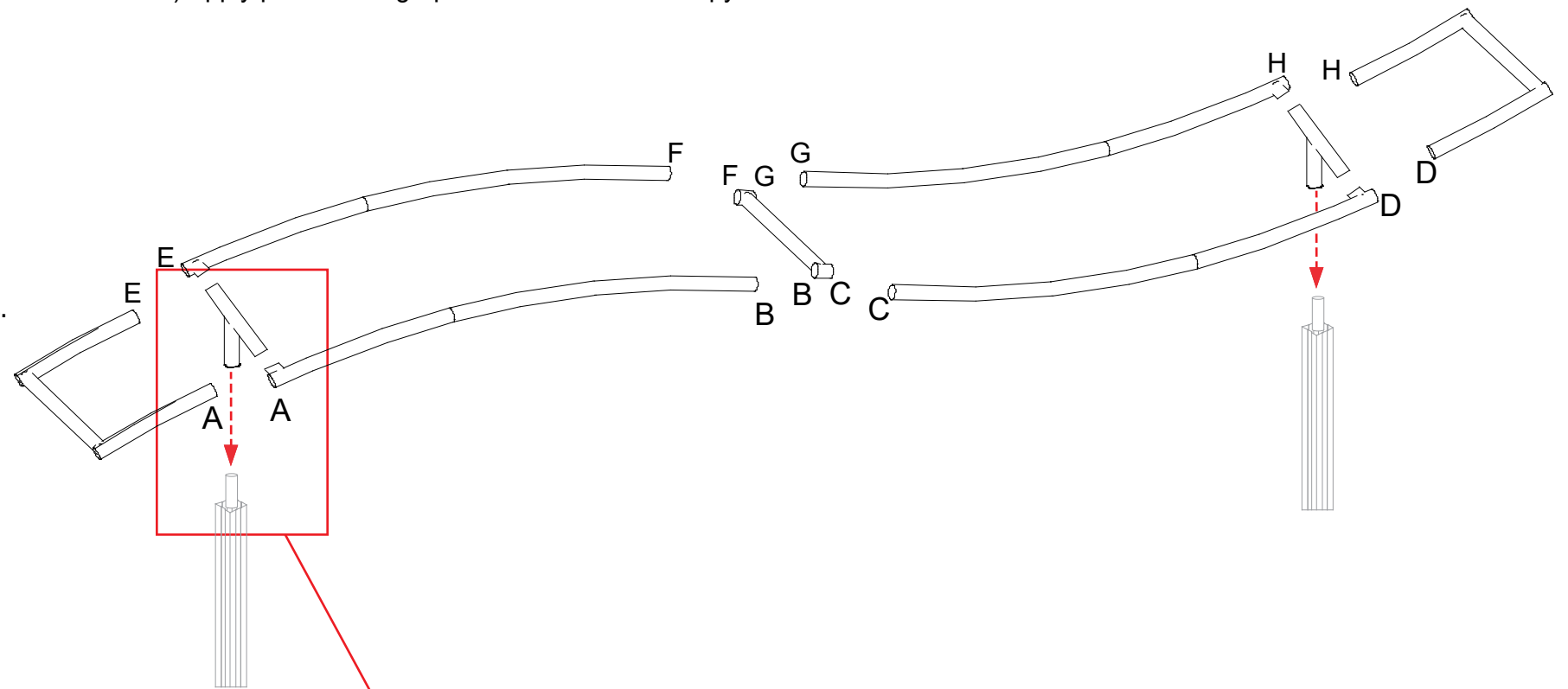


Connections are made by holding the button down and sliding the red tube into opposing tube until button locks into the hole of the opposing tube. To disassemble, push button and pull or twist extrusions apart.



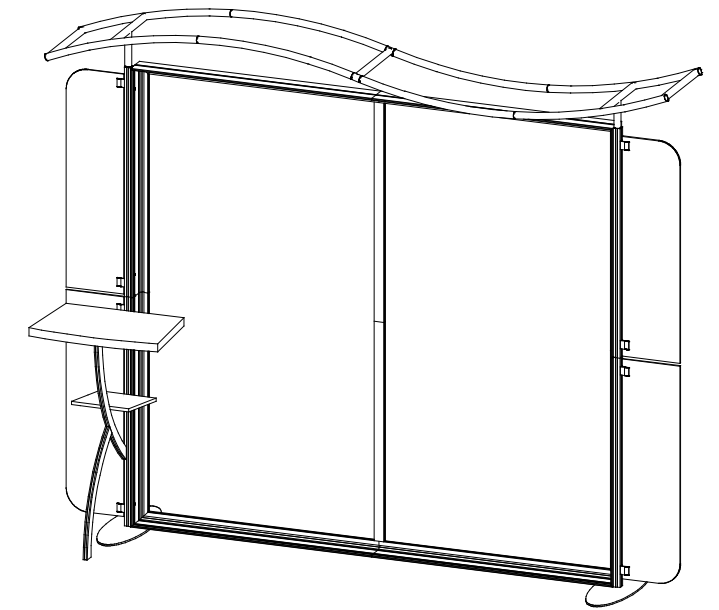
Steps:

- 1) Connect canopy pieces together as shown.
- 2) Apply pillow case graphic to assembled canopy.



Item	Qty.	Description
10	1	30.2" Curved Extrusion
10A	1	Support Leg
11	1	12.184"w Horizontal Extrusion
11A	1	Flange Plate

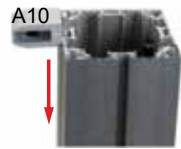
- Steps:
- 1) Connect assembled Extrusions [10/11] and Shelf to Vertical [2].
 - 2) Connect Support Leg [10A] to Curved Extrusion [10].
 - 3) Attach Flange Plates [11A] to tops of Curved Extrusions [10], using screws.
 - 4) Attach Counter Tops to [11,11A]. See [Counter Top Attachment](#) detail.
 - 5) Attach Wings to A10 clamps. See [Wing Attachment](#) detail.
 - 6) Place Canopy on posts at top of assembled frame.



Completed Assembly

Wing Attachment

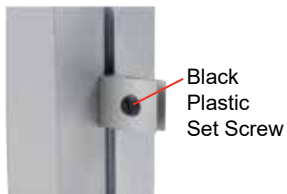
Slide A10 clamp into groove of Extrusion.



When desired location is found, tighten Set Screw to secure.

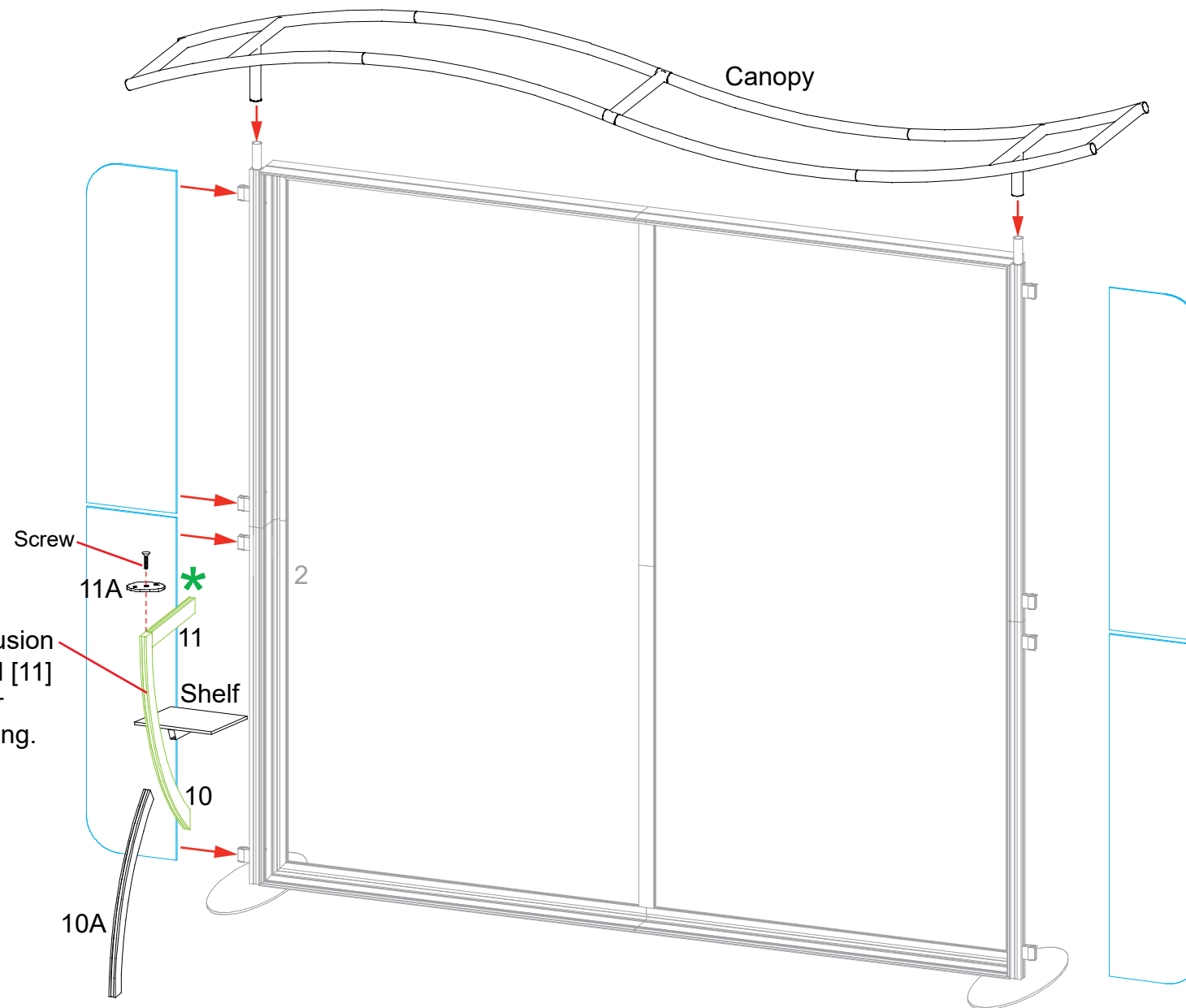


Tighten Black Plastic Set Screw to secure Wing in place.



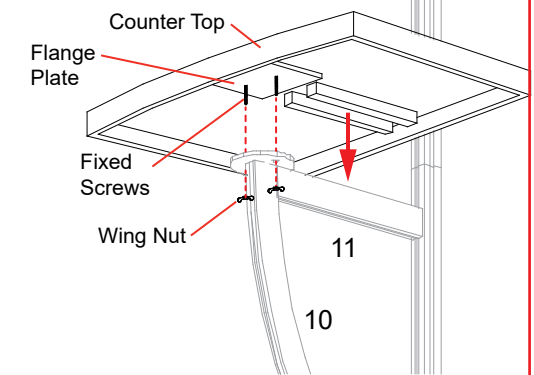
Keep A10 clamps attached to Verticals

Note: Curved Extrusion [10] and Horizontal [11] stay assembled for shipping and packing.



* Counter Top Attachment

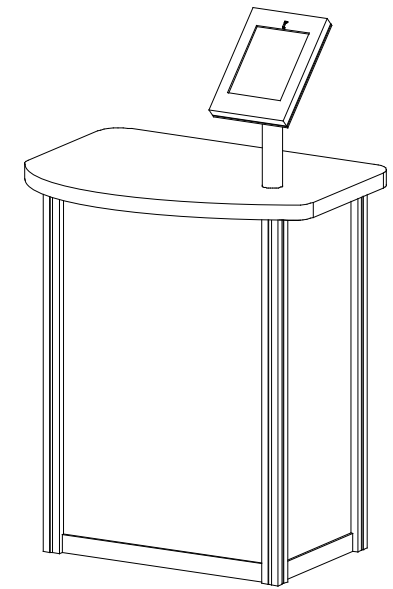
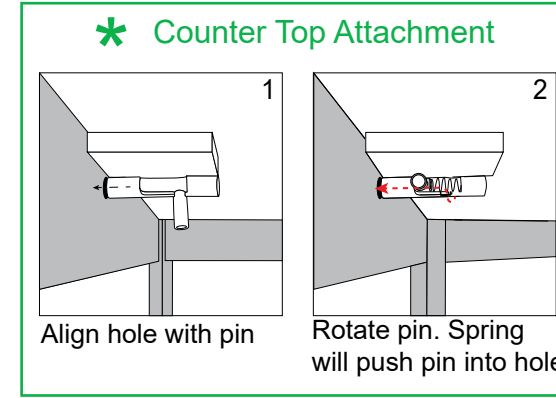
Insert Screws, located on underside of Counter Top, into holes on Flange Plate then secure with Wing Nuts.



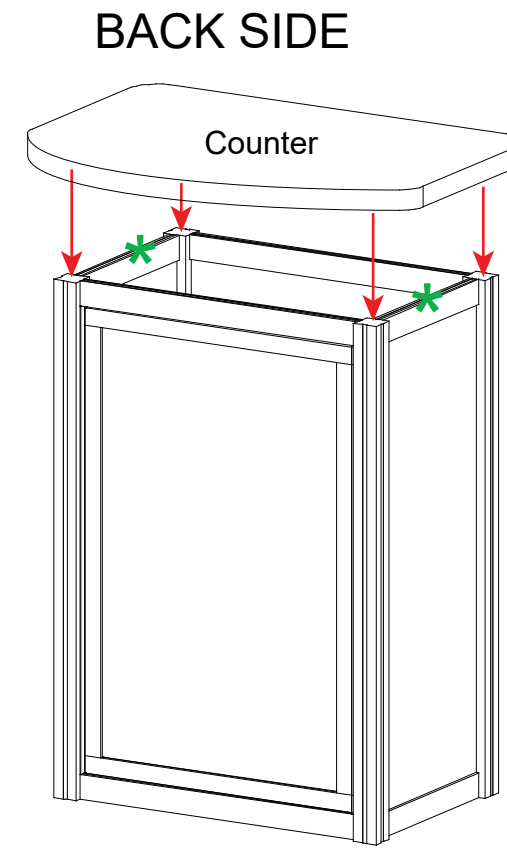
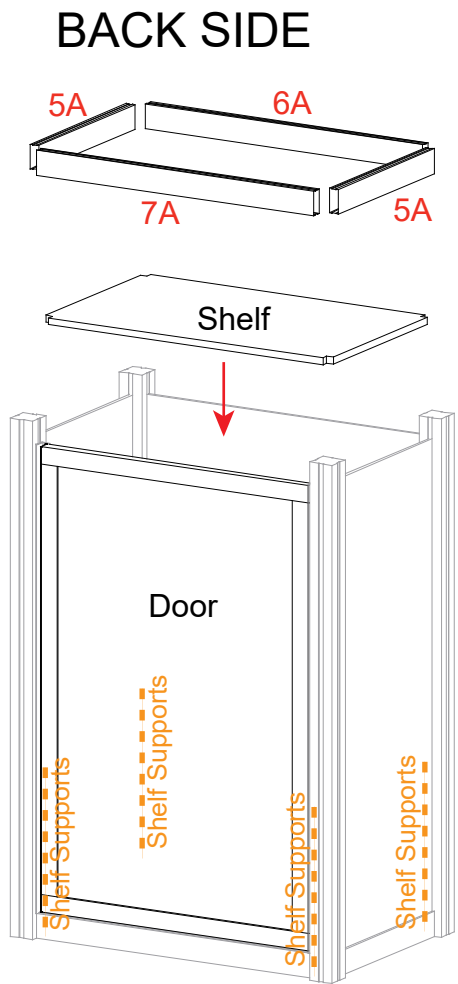
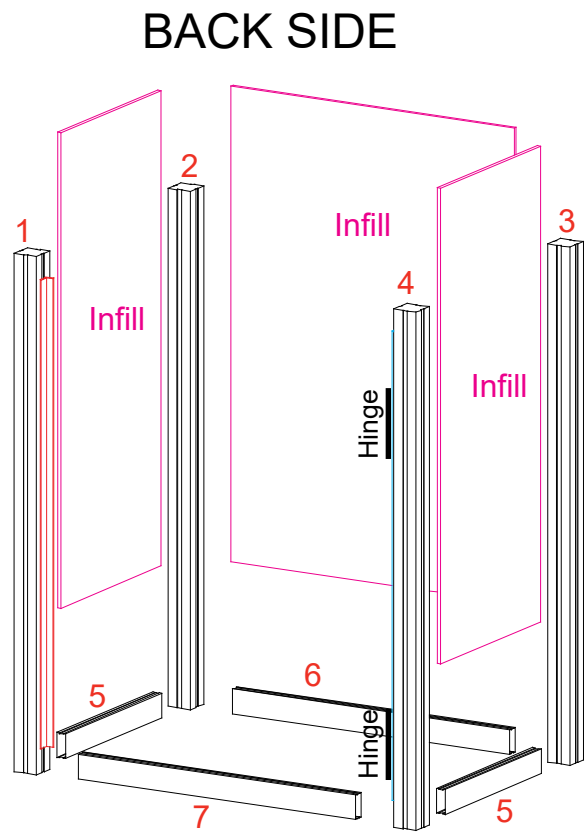
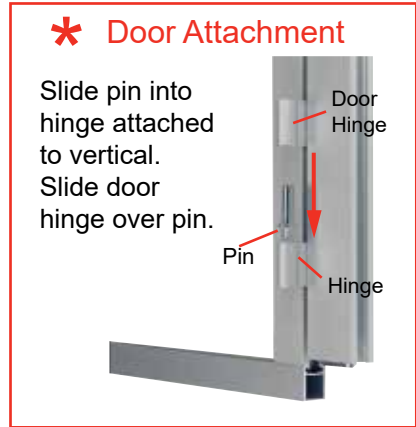
Item	Qty.	Description
1	1	37.5"h Vertical Extrusion
2	1	37.5"h Vertical Extrusion
3	1	37.5"h Vertical Extrusion
4	1	37.5"h Vertical Extrusion
5/5A	2/2	13.25"w Horizontal Extrusion
6/6A	1/1	22.5"w Horizontal Extrusion
7/7A	1/1	22.5"w Horizontal Extrusion

Steps:

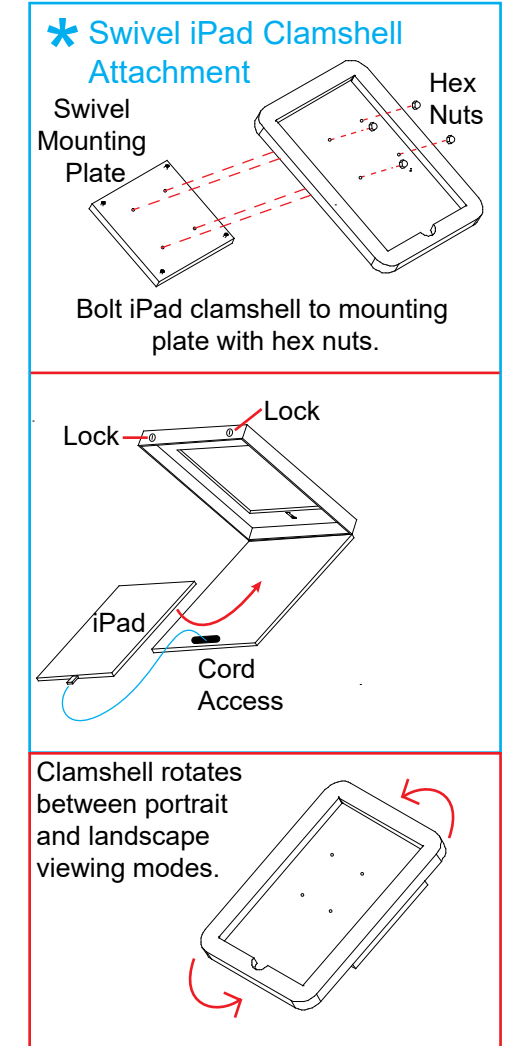
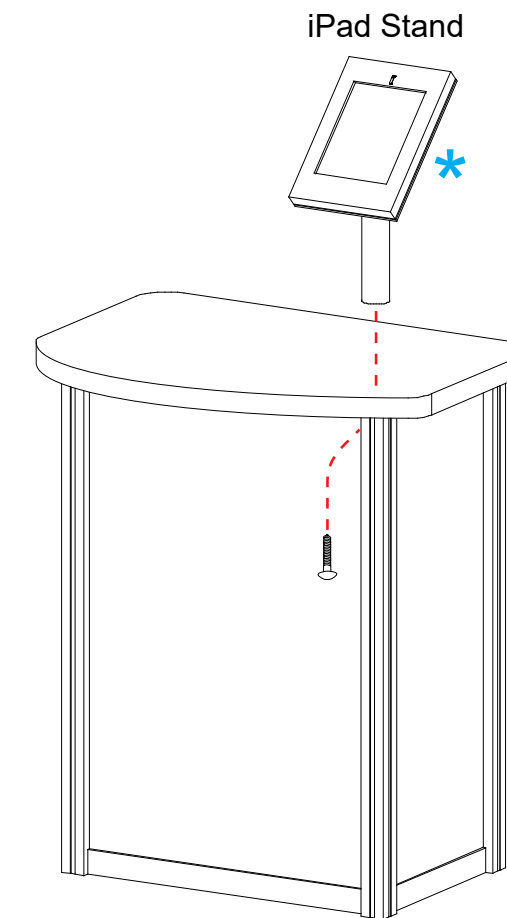
- 1) Connect lower horizontals [5, 6 & 7] between verticals.
- 2) Place infills between verticals where indicated.
- 3) Attach door using hinges.
See **Door Attachment** detail.
- 4) Install shelf supports to inside of counter, using velcro.
- 4) Lower shelf down on to the top of the shelf supports and set in place.
- 5) Attach upper horizontals [5A, 6A & 7A] between verticals.
See **Counter Top Attachment** detail
- 6) Place counter on top of assembly and lock in place.
- 7) Attach iPad stand to counter using bolt under counter.
See **Swivel iPad Clamshell Attachment** detail.



Completed Assembly

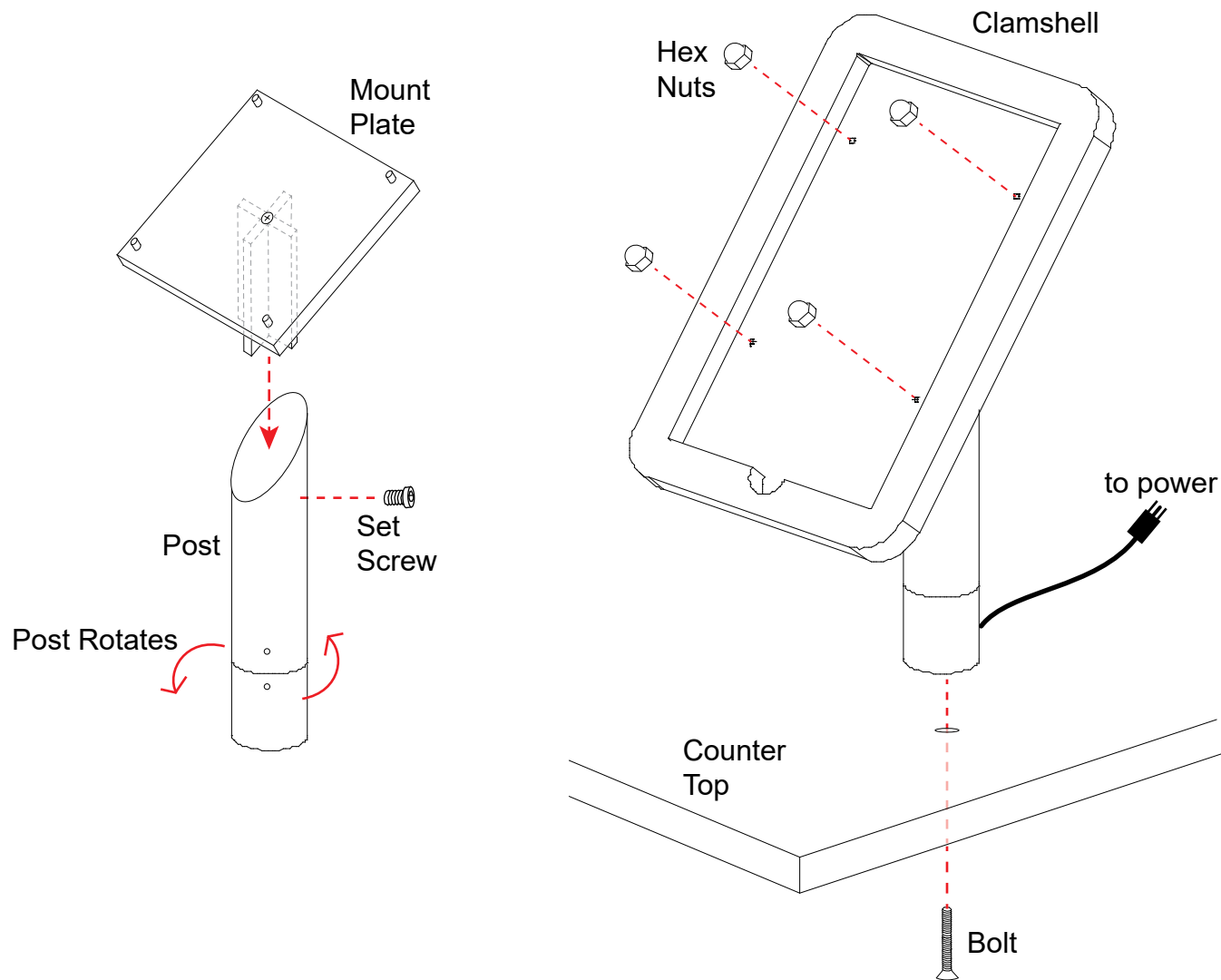


FRONT SIDE

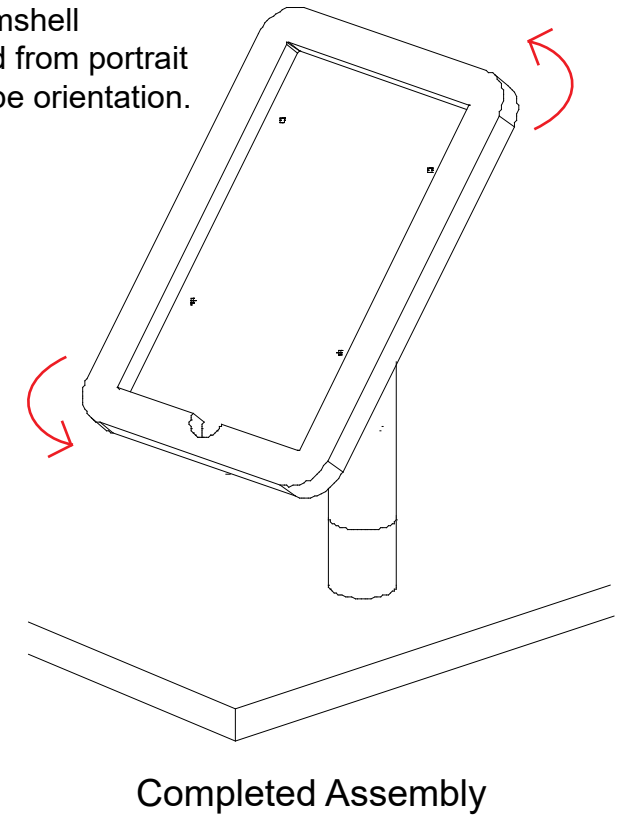


Steps:

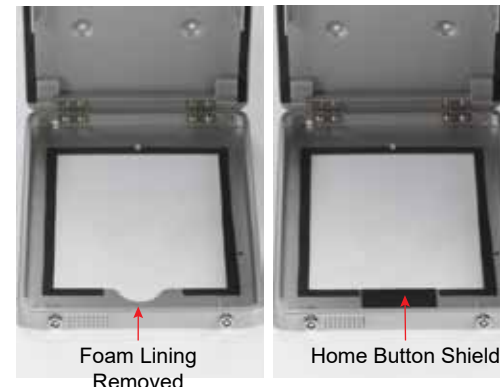
- 1) Attach mount plate to post, using set screw.
NOTE: Mount plate must rotate to left and right before installing clamshell.
- 2) Attach post assembly to counter top, using bolt from under counter top.
- 3) Attach clamshell to mount plate, using hex nuts.
- 4) Insert iPad in clamshell, then route cords. See [Cord Management for iPad](#) detail.



Rotate clamshell to turn iPad from portrait to landscape orientation.



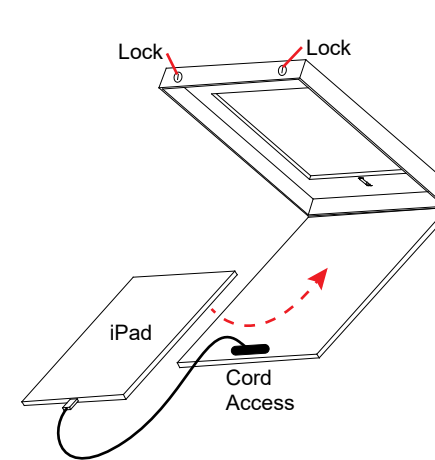
Optional Cover for Home Button



- 1) Remove foam lining from inside bottom of clamshell.
- 2) Attach Home Button Shield with double-sided tape to inside of clamshell, keeping top of shield flush with clamshell opening.

NOTE: This is a permanent fix and can't be easily removed.

Cord Management for iPad



Attach iPad cord to supplied USB extension cord. Feed USB cord through top hole of post, then out bottom hole of post. Connect to power.