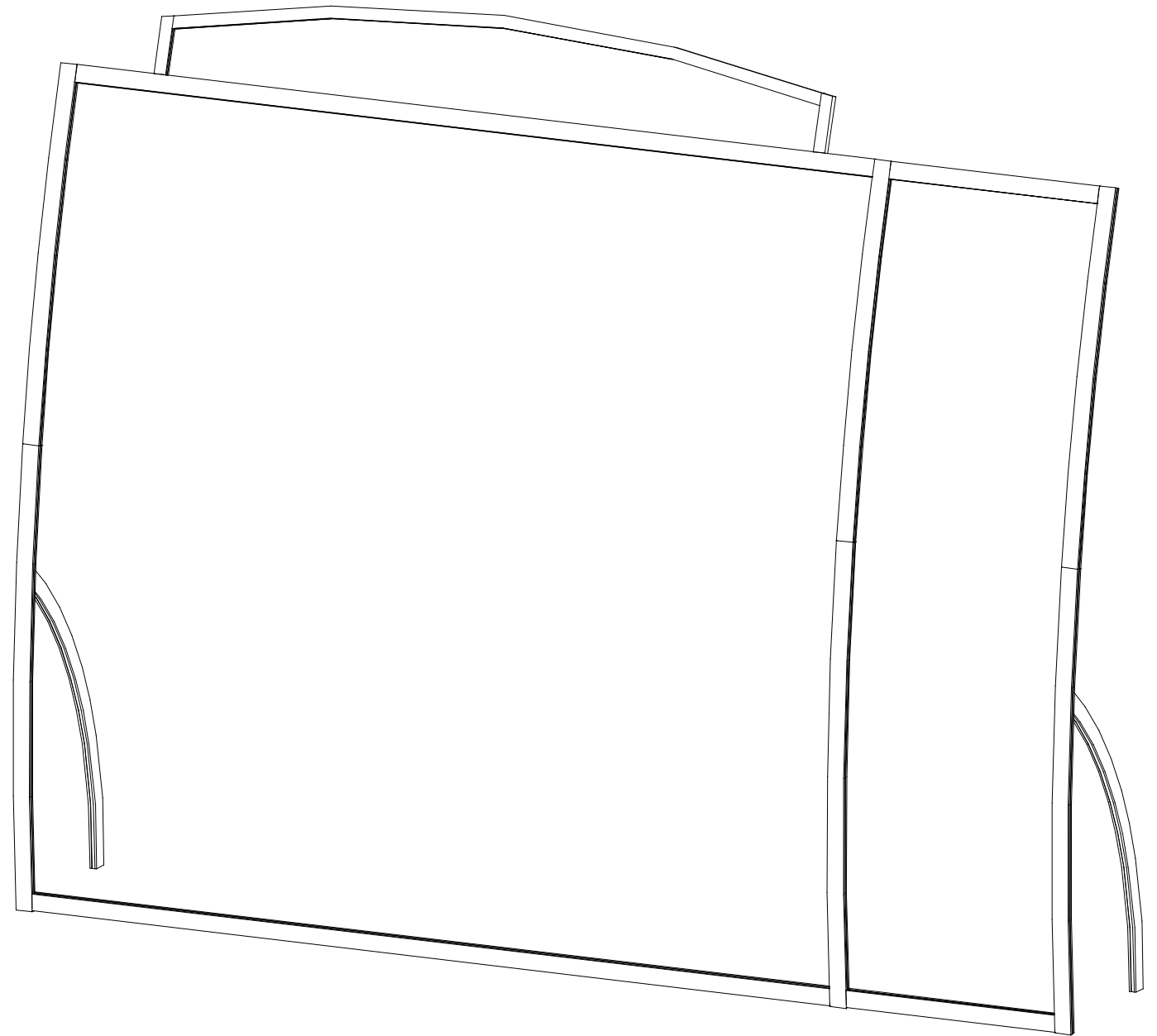
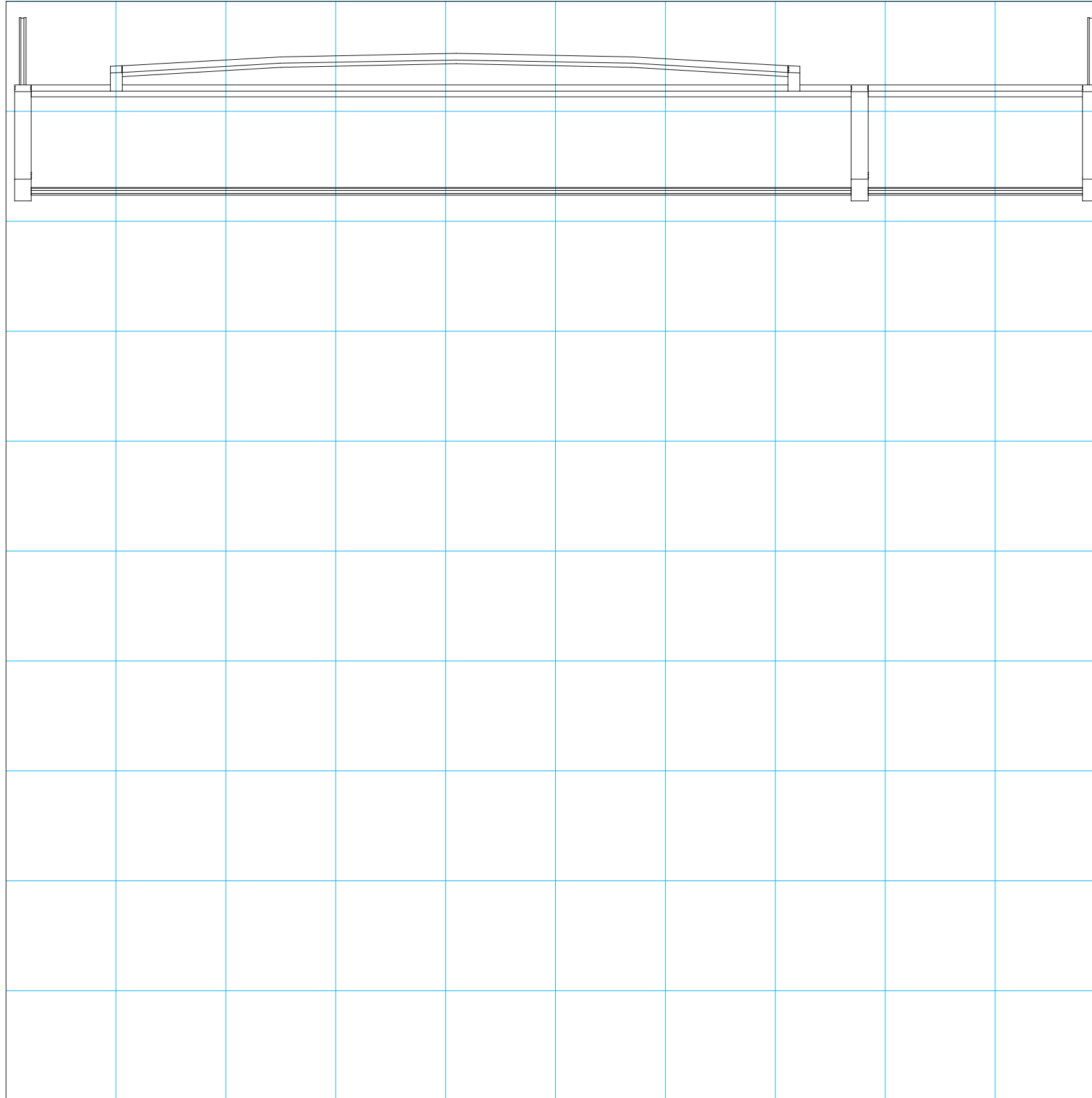


Plan View



SETUP INSTRUCTIONS



= 1 sq foot

General Setup Instructions

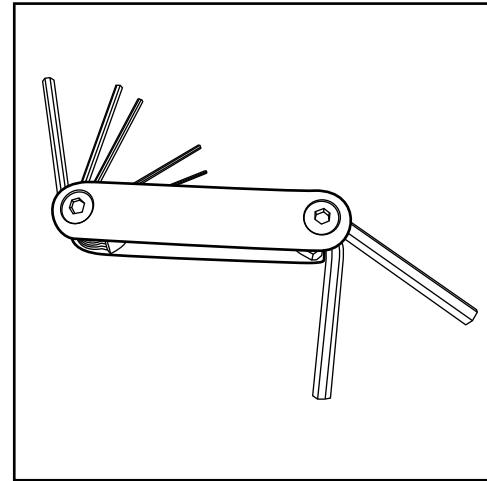
- Read entire setup instruction manual prior to unpacking parts and pieces.
- The setup instructions are created specifically for this configuration.
- Setup instructions are laid out sequentially in steps, including exploded views with detailed explanation for assembly.

Cleaning & Packing

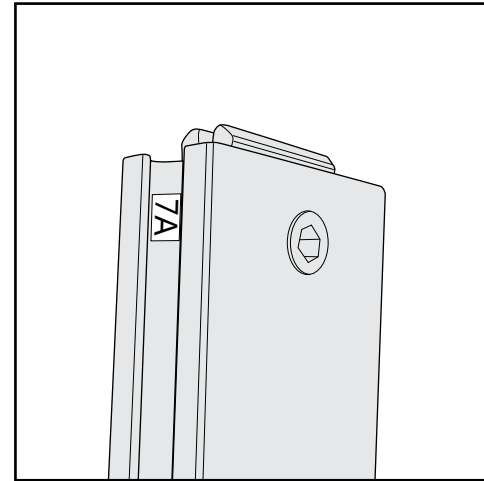
- For Cleaning Metal, Plex, & Laminate Parts: Use a **MILD NON-ABRASIVE** cleanser and soft cloth/paper towel to clean all surfaces.
- Keep exhibit components away from heat and prolonged sun exposure. **Heat and UV exposure will warp and fade components.**
- Retain all provided Packing Materials. All provided packing materials are for ease of repacking & component protection.

Disassembly

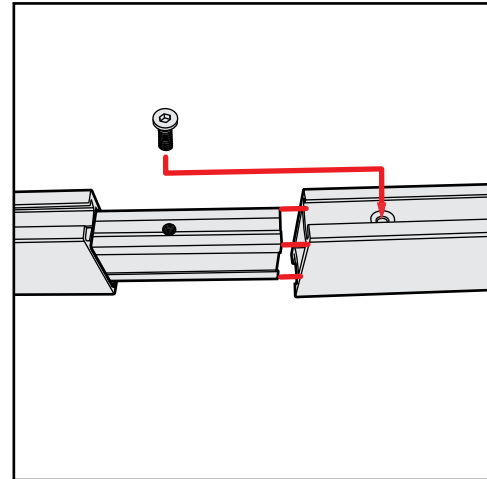
- For loss prevention, tighten all set screws and locks during disassembly.



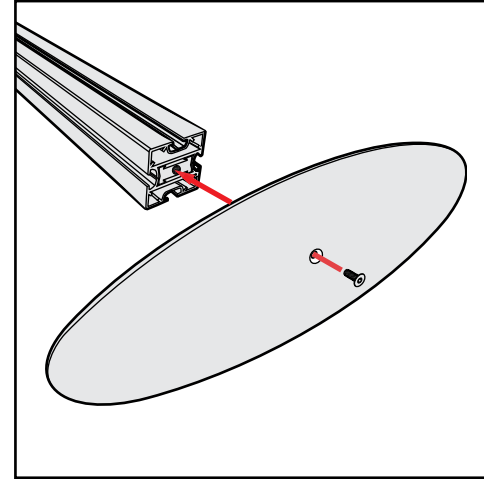
Hex Tool - Essential for Assembly



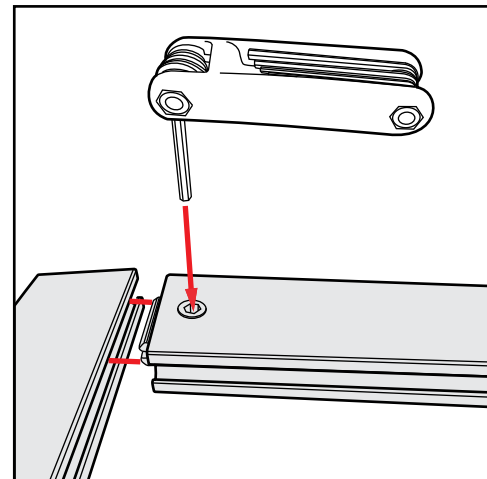
Part Identification - Numbering



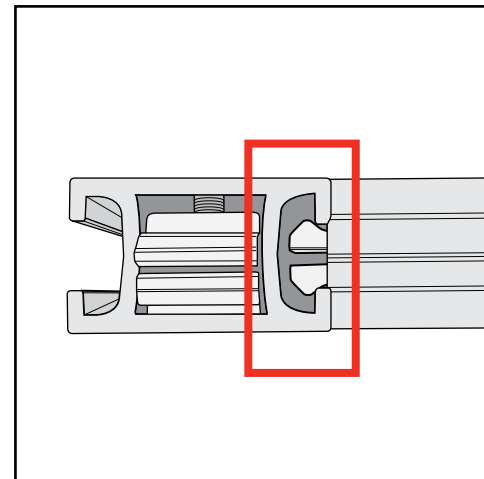
Spline Connection



Base Plate & Extrusion Connection



Extrusion & Lock Connection



Engaged Lock



WARNING



DO NOT USE POWER TOOLS

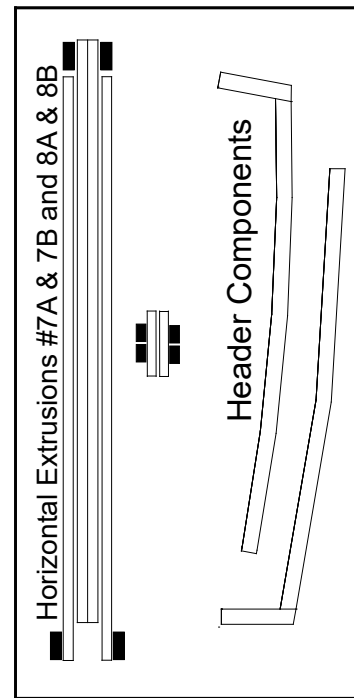


LADDERS OR LIFTS
MAY BE REQUIRED

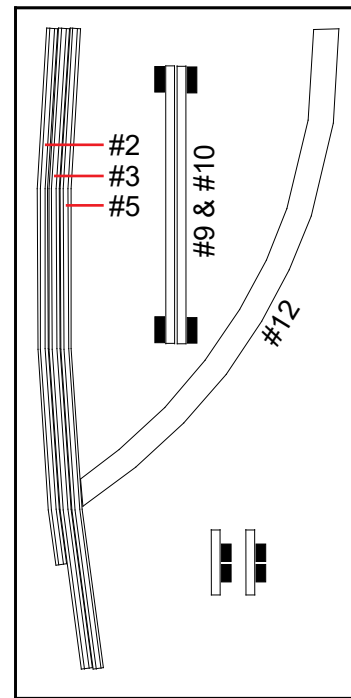


ALL CONNECTIONS MUST
BE TIGHTLY SECURED

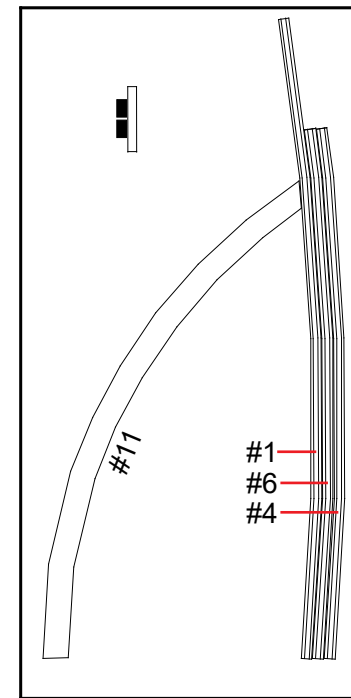
Top View of Each Level



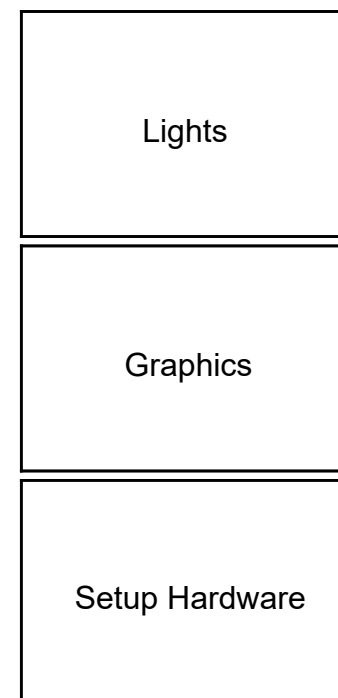
Level 1
(Bottom level)



Level 2



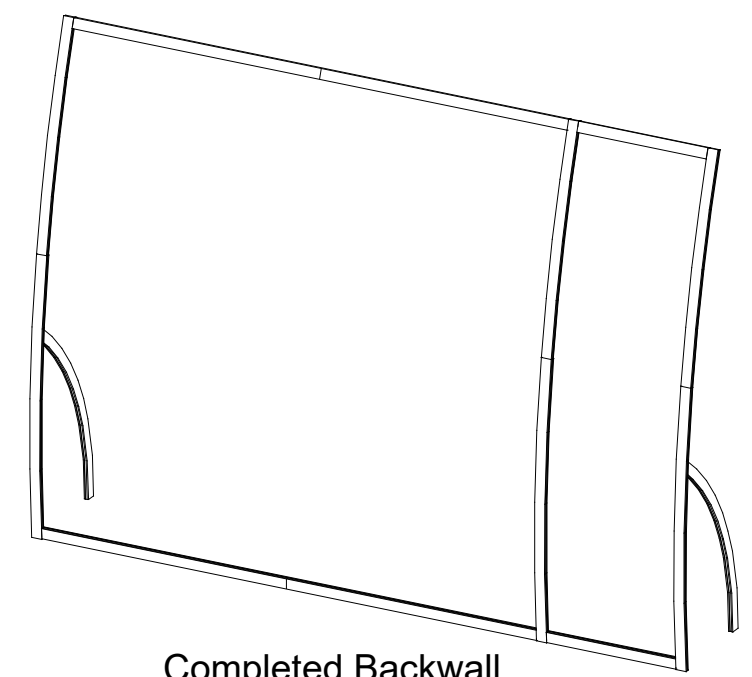
Level 3



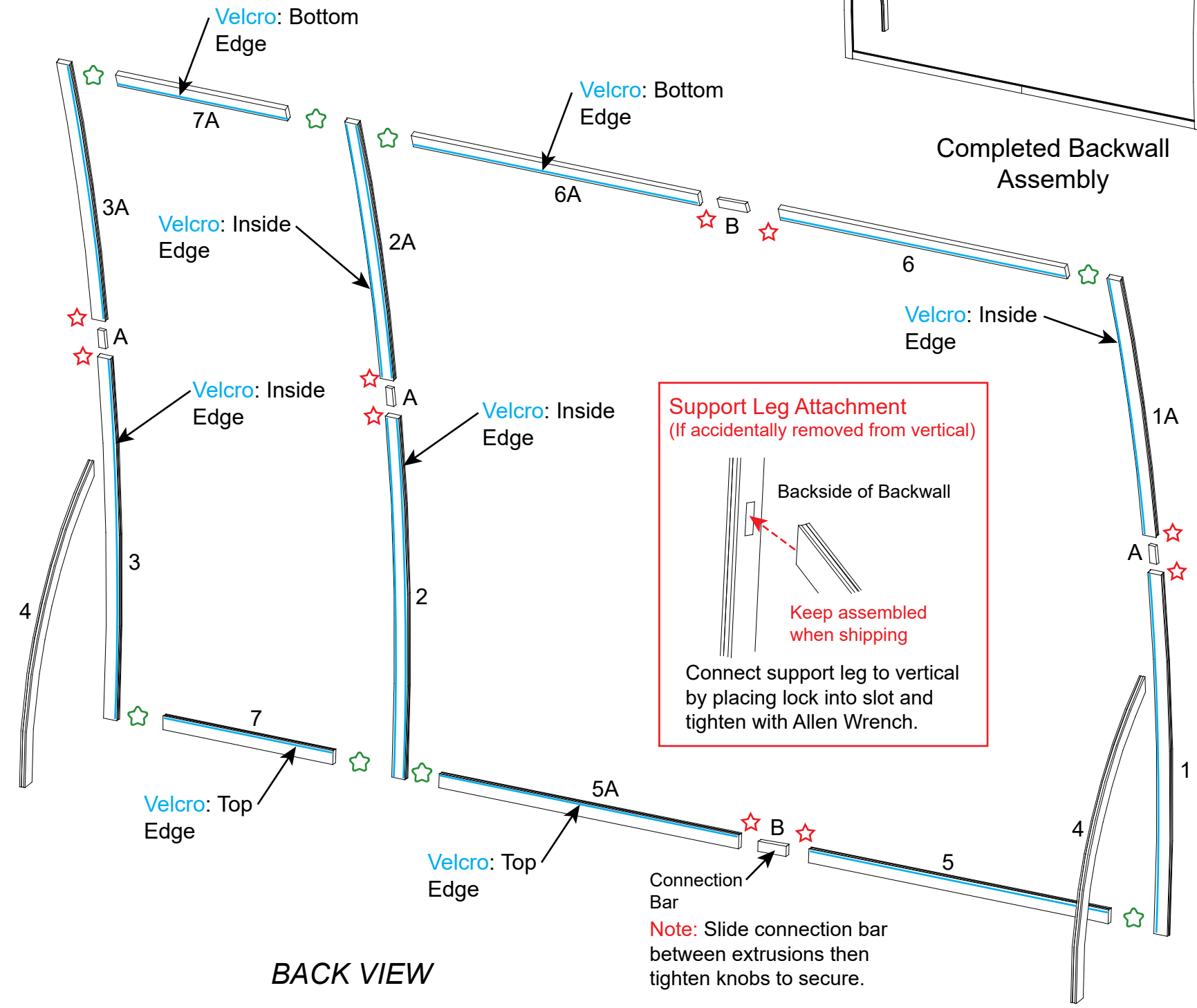
Item	Qty.	Description
1	1	47.9975" h Lower Curved Extrusion
1A	1	38.5" h Upper Curved Extrusion
2	1	47.9975" h Lower Curved Extrusion
2A	1	38.5" h Upper Curved Extrusion
3	1	47.9975" h Lower Curved Extrusion
3A	1	38.5" h Upper Curved Extrusion
4	2	36.1425" h Backwall Support Extrusion
5/5A	1/1	44" w Lower Horizontal Extrusion
6/6A	1/1	44" w Upper Horizontal Extrusion
7/7A	1/1	23" w Horizontal Extrusion

Steps:

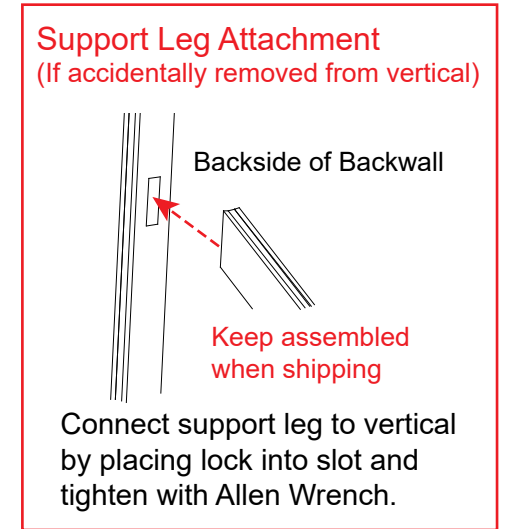
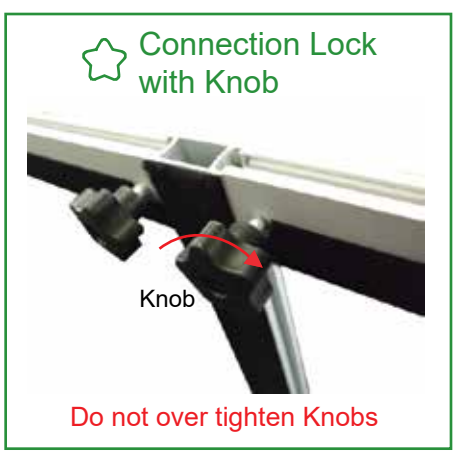
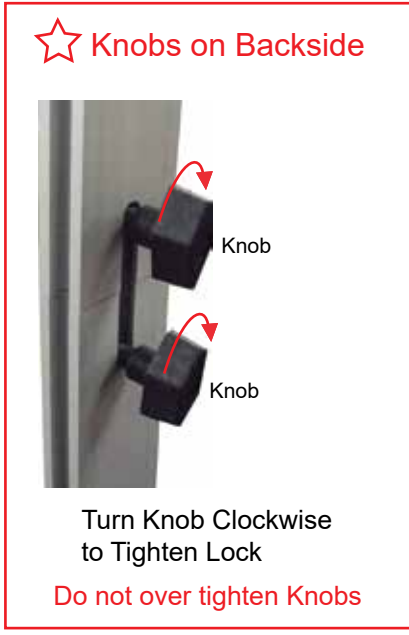
- 1) Connect backwall upper and lower verticals together [1] to [1A], [2] to [2A] and [3] to [3A]. See **Knobs on Backside** detail.
- 2) Connect horizontal extrusions together [5] to [5A] and [6] to [6A]. See **Knobs on Backside** detail.
- 3) Attach horizontal assemblies [5/5A and 6/6A] between vertical assemblies [1/1A] and [2/2A]. See **Connection Lock with Knob** detail.
- 4) Attach horizontal extrusions [7 and 7A] between vertical assemblies [2/2A and 3/3A].
- 5) Attach support leg extrusions [4] to back of verticals [1] and [3]. See **Support Leg Attachment** detail.
- 6) Affix graphics to Velcro on backwall.



Completed Backwall Assembly

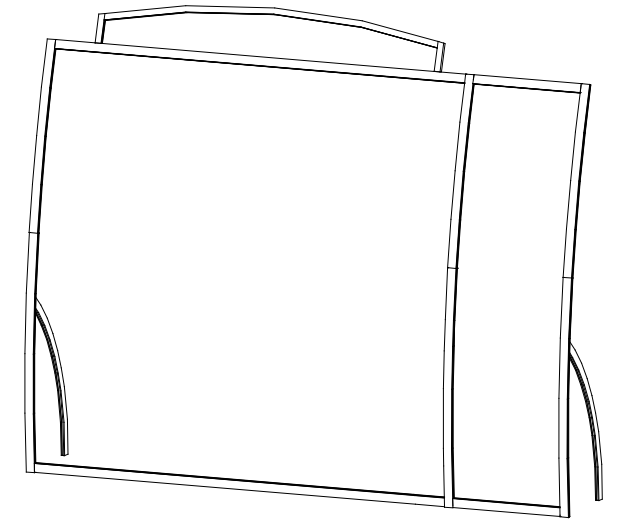
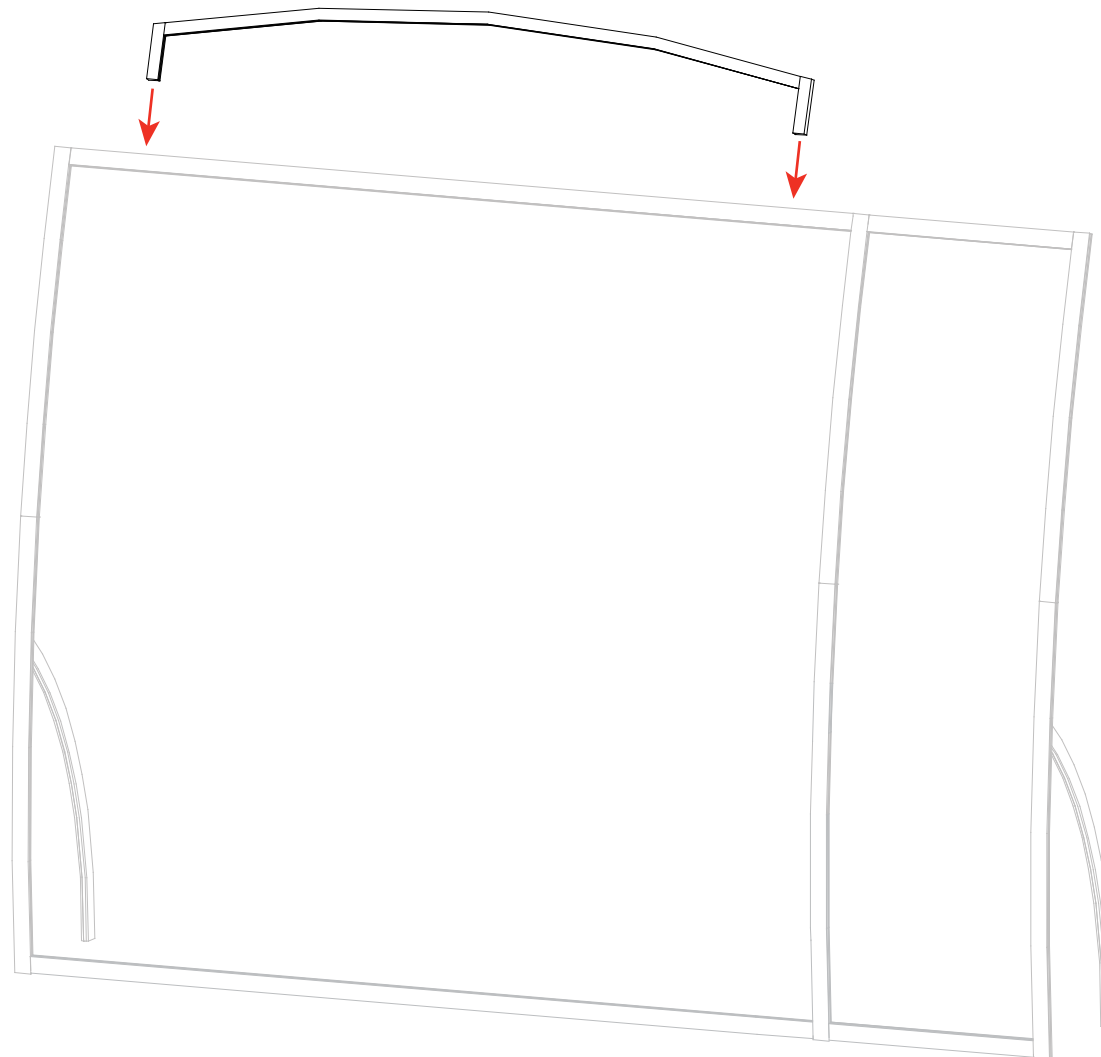
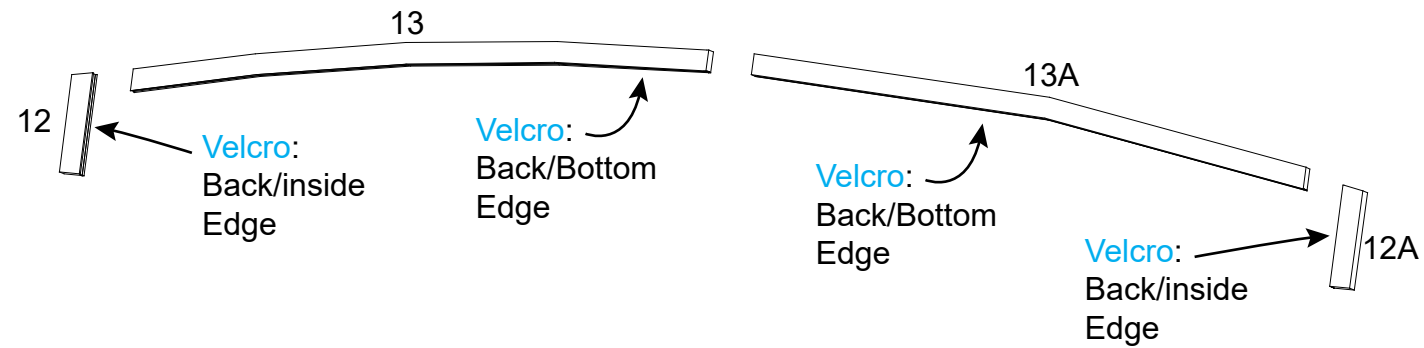


BACK VIEW



Item	Qty.	Description
12/12A	1/1	6.0257" h Vertical Extrusion
13/13A	1/1	35.74" w Curved Horizontal

- Steps:
- 1) Connect upper curved horizontals [13] & [13A] together.
 - 2) Attach verticals [12] & [12A] to each end of horizontals.
 - 3) Attach header to upper backwall horizontals.
 - 4) Attach lights where desired.



Completed Assembly