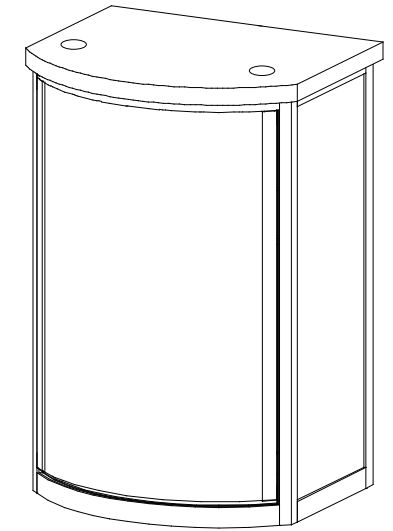


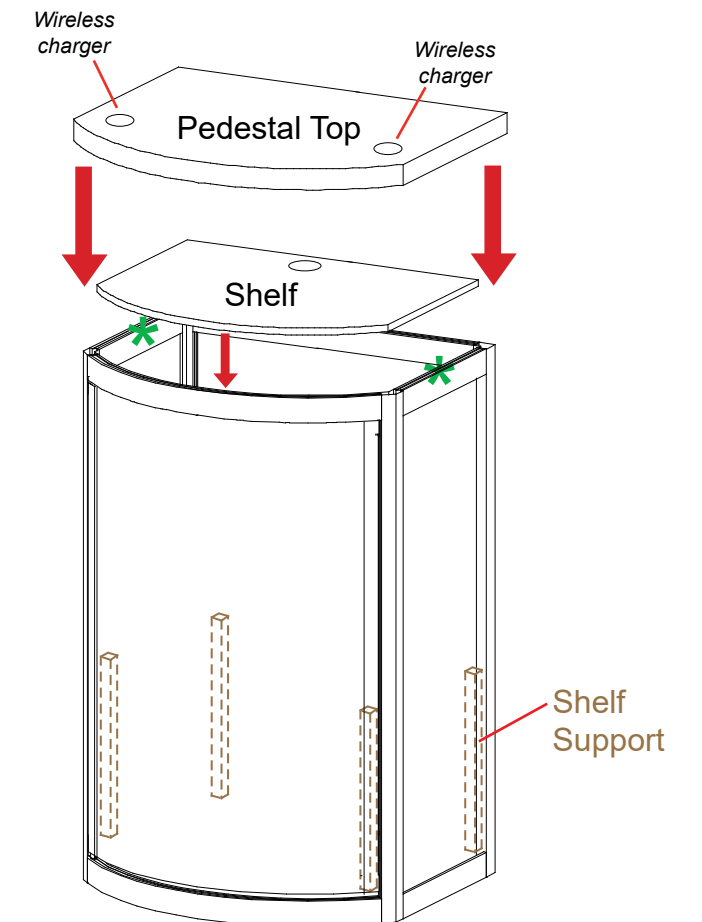
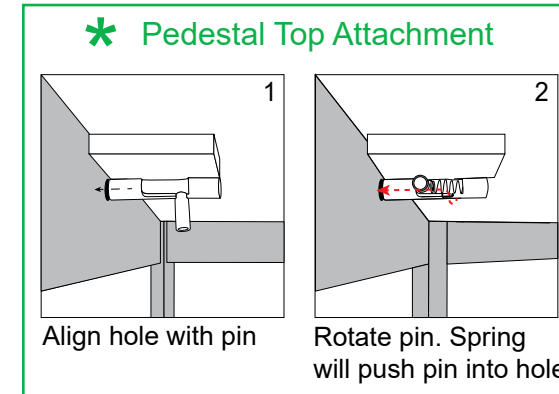
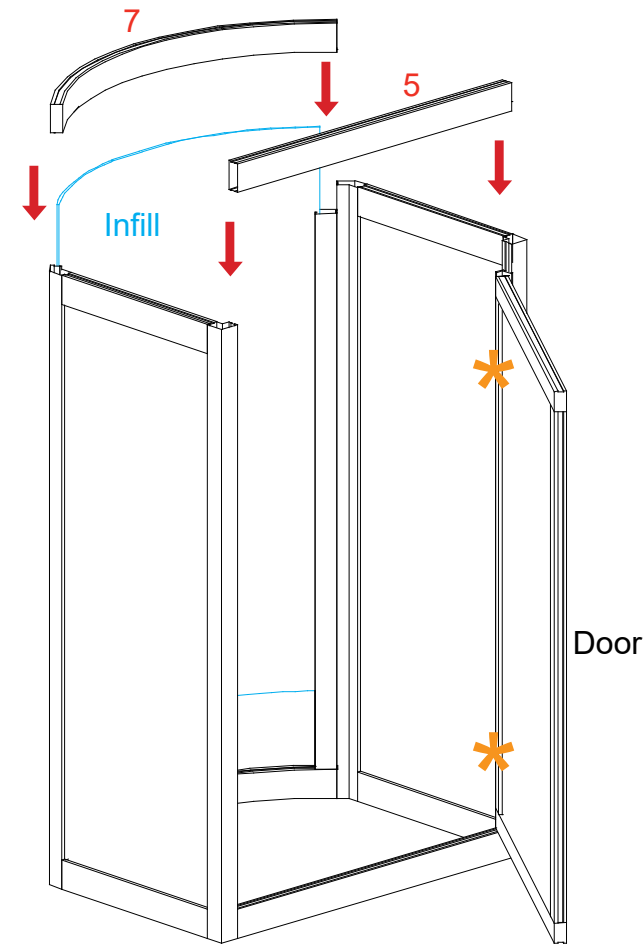
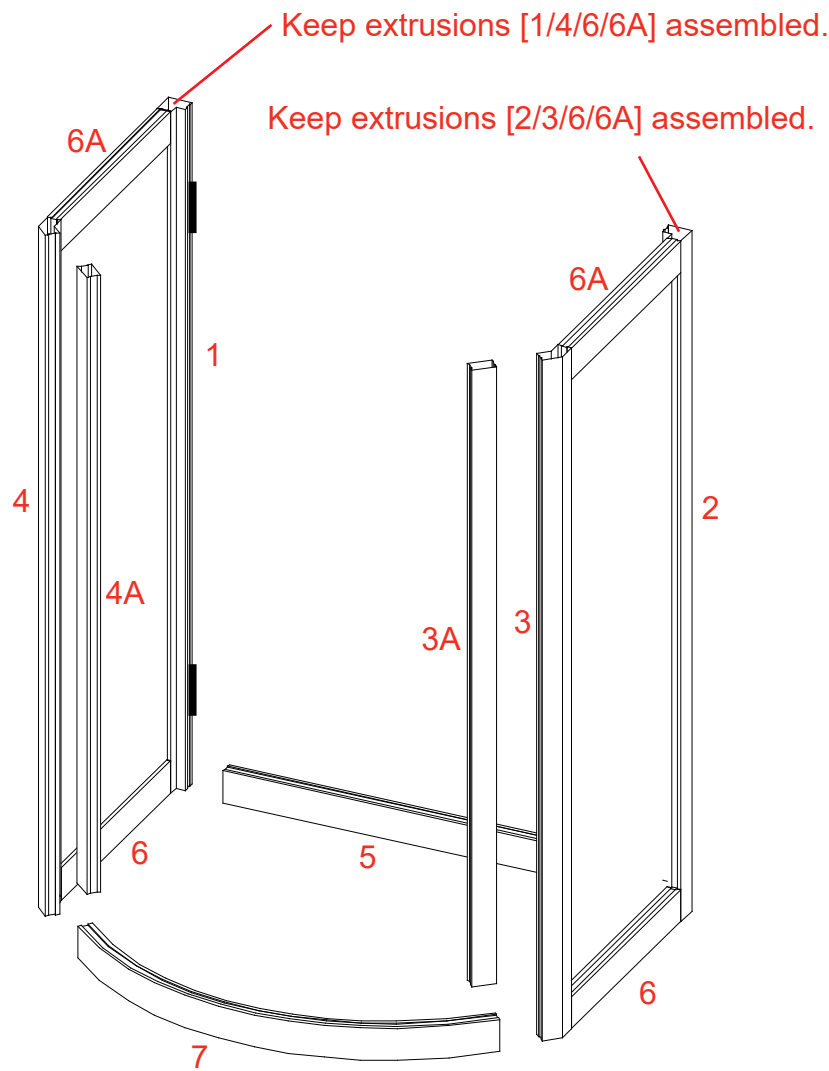
Item	Qty.	Description
1	1	38" GS220 Vertical Extrusion w/ Door Hinges
2	1	38" GS220 Vertical Extrusion w/ Door Stop
3	1	38" GS210 Vertical Extrusion
3A	1	34.417" Z33 Vertical Extrusion
4	1	38" GS210 Vertical Extrusion
4A	1	34.417" Z33 Vertical Extrusion
5	2	22.0197" Z45 Horizontal Extrusion
6,6A	2,2	12.5" Z45 Horizontal Extrusion
7	2	25.639" Z45 Curved Extrusion

Steps

- 1) Attach horizontal extrusions [5] and [7] between assemblies [1,4,6,6A] and [2,3,6,6A], making sure Velcro is facing inward.
- 2) Connect vertical extrusions [3A] and [4A] on top of horizontal extrusion [7].
- 3) Slide infill between verticals [3A] and [4A].
- 4) Attach assembled door to vertical extrusion [1]. See **Door Connection** detail.
- 5) Attach upper horizontal extrusions [5] and [7] between assemblies and on top of infill and door.
- 6) Connect **shelf supports** to Velcro, then set shelf on top of supports.
- 7) Attach pedestal top to extrusions [6A]. See **Pedestal Top Attachment** detail.
- 8) Connect power cords to wireless chargers in counter top.



Completed Pedestal Assembly



SETUP INSTRUCTIONS

General Setup Instructions

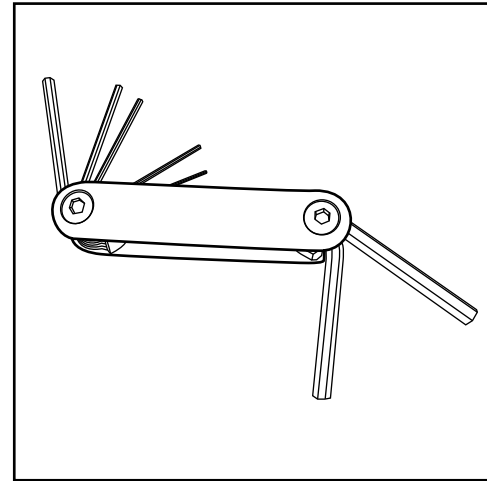
- Read entire setup instruction manual prior to unpacking parts and pieces.
- The setup instructions are created specifically for this configuration.
- Setup instructions are laid out sequentially in steps, including exploded views with detailed explanation for assembly.

Cleaning & Packing

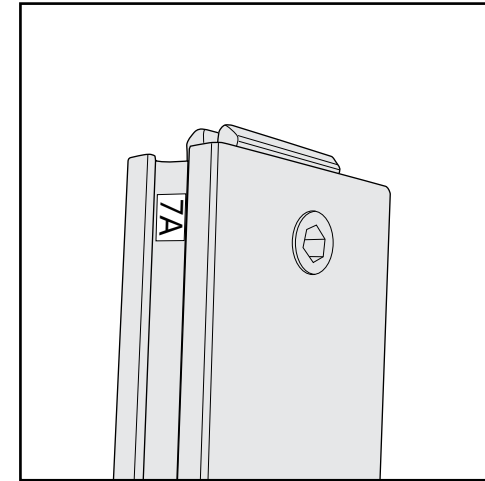
- For Cleaning Metal, Plex, & Laminate Parts: Use a **MILD NON-ABRASIVE** cleanser and soft cloth/paper towel to clean all surfaces.
- Keep exhibit components away from heat and prolonged sun exposure. **Heat and UV exposure will warp and fade components.**
- Retain all provided Packing Materials. All provided packing materials are for ease of repacking & component protection.

Disassembly

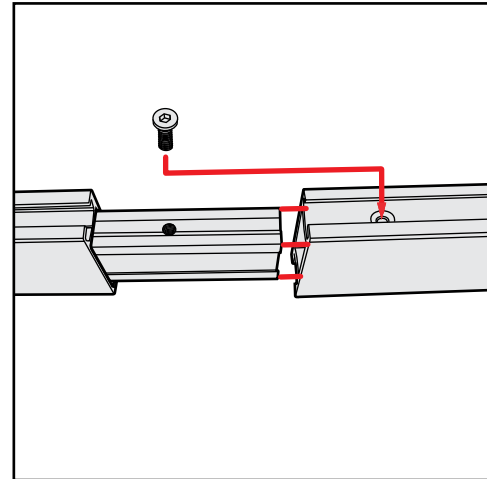
- For loss prevention, tighten all set screws and locks during disassembly.



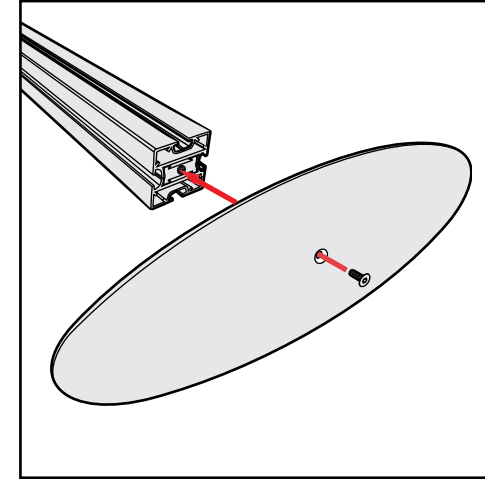
Hex Tool - Essential for Assembly



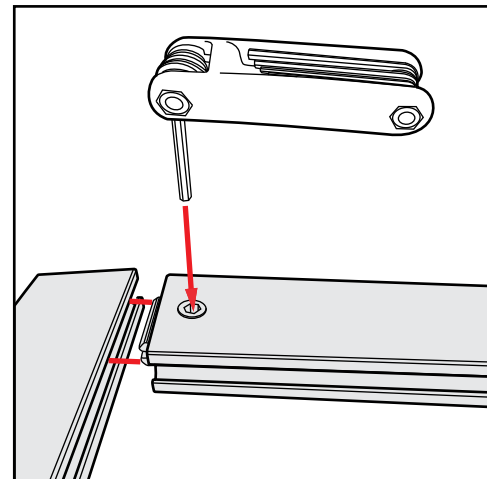
Part Identification - Numbering



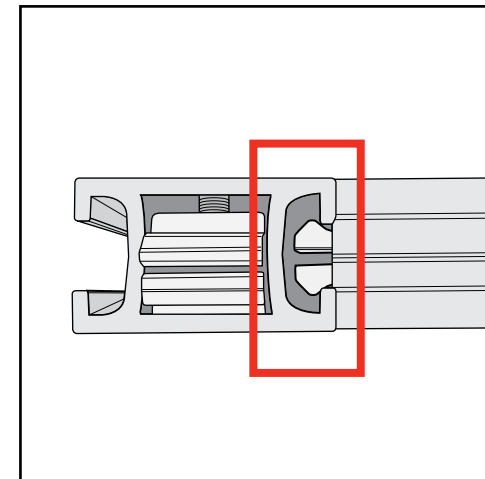
Spline Connection



Base Plate & Extrusion Connection



Extrusion & Lock Connection



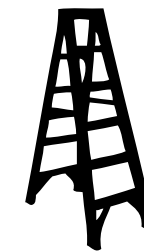
Engaged Lock



WARNING



DO NOT USE POWER TOOLS



LADDERS OR LIFTS
MAY BE REQUIRED



ALL CONNECTIONS MUST
BE TIGHTLY SECURED

Top View of Each Level

